

ACCESS SERVICE

Regulations, Rates and Charges
applying to the provision of Access Service
for connection to Interstate communications
facilities for Interstate Customers within
the operating territory of

BUCKEYE TELESYSTEM, INC.

in the State of Ohio
and in the State of Michigan

(N)

Access Services are provided by means of wire, fiber optics, radio,
or any other suitable technology or combination thereof.

ACCESS SERVICE -- CARRIER TO CARRIER

CHECK SHEET

Title Page and Pages 1 to 146 inclusive of this tariff are effective as of the date shown. Original and revised pages as named below contain all changes from the original tariff that are in effect on the date hereof.

<u>Page</u>	<u>Revision</u>	<u>Page</u>	<u>Revision</u>	<u>Page</u>	<u>Revision</u>	<u>Page</u>	<u>Revision</u>	<u>Page</u>	<u>Revision</u>
Title	1st	34	Original	66.2	Original	88	Original	122	Original
1	14th	35	Original	66.3	Original	89	Original	123	1st
2	Original	36	Original	66.4	Original	90	Original	124	Original
3	Original	37	Original	66.5	Original	91	Original	125	2nd
4	5th	38	Original	66.6	Original	92	Original	126	11th*
5	1st	39	Original	67	Original	93	Original	126.1	8th*
6	Original	40	Original	68	Original	94	Original	127	8th*
7	Original	41	Original	69	Original	95	Original	128	5th*
8	Original	42	Original	70	Original	96	Original	129	6th*
9	Original	43	Original	71	Original	97	Original	130	3rd
10	Original	44	Original	72	Original	98	Original	131	Original
11	1st	45	Original	73	Original	99	1st	132	Original
12	1st	46	Original	74	Original	100	Original	133	Original
13	Original	47	Original	75	Original	101	Original	134	Original
14	Original	48	Original	76	Original	102	Original	135	Original
15	1st	49	Original	77	Original	103	Original	136	Original
16	1st	50	Original	78	1st	104	Original	137	Original
17	2nd	51	Original	79	5th	105	Original	138	Original
18	1st	52	Original	80	3rd	106	Original	139	Original
19	Original	53	Original	80.1	3rd	107	Original	140	Original
20	Original	54	Original	80.2	1st	108	Original	141	Original
21	1st	55	Original	81	2nd	109	Original	142	Original
22	1st	56	Original	82	2nd	110	Original	143	Original
23	Original	57	Original	83	Original	111	Original	144	Original
24	Original	58	Original	84	Original	112	Original	145	Original
25	Original	59	Original	85	3rd	113	Original	146	Original
26	Original	60	Original	85.1	1st	114	Original		
27	Original	61	Original	85.2	Original	115	1st		
28	Original	62	Original	86	3rd*	116	Original		
29	Original	63	Original	86.1	Original	117	Original		
30	Original	64	Original	86.2	Original	118	Original		
31	Original	65	Original	86.3	Original	119	Original		
32	Original	66	Original	86.4	Original	120	Original		
33	Original	66.1	Original	87	Original	121	Original		

*New or Revised

Transmittal No. 16

Issued: November 18, 2011

Effective: November 21, 2011

John Martin, President
5555 Airport Highway, Suite 110
Toledo, Ohio 43615

ACCESS SERVICE -- CARRIER TO CARRIER

TABLE OF CONTENTS

TITLE PAGE

CHECK SHEET 1

TABLE OF CONTENTS 2

LIST OF CONCURRING, CONNECTING AND OTHER PARTICIPATING
CARRIERS 8 (T)

EXPLANATION OF SYMBOLS 9

EXPLANATION OF ABBREVIATIONS 10 (D)

REFERENCE TO OTHER TARIFFS AND/OR PUBLICATIONS 19

1. APPLICATION OF TARIFF 21

2. GENERAL REGULATIONS 22

 2.1 Undertaking of the Company 22

 2.1.1 Scope 22

 2.1.2 Terms and Conditions 22

 2.1.3 Limitations 24

 2.1.3.1 Assignment or Transfer of Services 24

 2.1.3.2 Provisioning Sequence 25

 2.1.3.3 Ownership of Facilities 25

 2.1.3.4 Liability 26

 2.1.4 Provision of Equipment and Facilities 31

 2.1.5 Equipment or Facilities 33

 2.1.6 Notification of Service-Affecting Activities 34

 2.1.7 Non-routine Installation 35

 2.1.8 Special Construction/Special Arrangements 35

 2.2 Obligations of the Customer 37

 2.2.1 Claims 40

 2.3 Customer Equipment and Channels 40

 2.3.1 General 40

 2.3.2 Terminal Equipment 41

 2.3.3 Interconnection of Facilities 41

 2.3.4 Inspections 42

 2.3.5 Prohibited Uses 43

Issued: July 28, 1998

Effective: July 29, 1998

John Martin, President
5566 Southwyck Blvd.
Toledo, Ohio 43614

ACCESS SERVICE -- CARRIER TO CARRIER

TABLE OF CONTENTS (cont'd)

2.4 Payment Arrangements.....44

 2.4.1 Payment for Service44

 2.4.2 Billing and Collection of Charges.....45

 2.4.3 Advance Payments47

 2.4.4 Jurisdictional Reporting Requirements.....48

 2.4.5 Deposits50

 2.4.6 Discontinuance of Service.....51

 2.4.7 Cancellation of Application for Service52

 2.4.8 Changes in Service Requested.....54

 2.4.9 Allowances for Interruptions in Service54

2.5 Access Billing59

 2.5.1 Title or Ownership Rights59

 2.5.2 Billing Standards60

 2.5.3 Meet Point Billing.....60

 2.5.4 Duration of Use Charges62

 2.5.5 Distance Charges.....63

 2.5.6 Suspension, Termination or Refusal of Service.....64

 2.5.7 Exceptions to Suspension, Termination or Refusal of Service65

2.6 Definitions.....66.1 (N)

3. ACCESS ORDERING67

 3.1 General67

 3.1.1 Service Installation67

 3.1.2 Expedited Orders68

 3.1.3 Selection of Facilities.....68

 3.2 Ordering Requirements69

 3.2.1 Switched Access Service Feature Group D.....69

 3.2.2 Special Access Service69

 3.2.3 WATS or WATS-Type Services.....70

 3.2.4 Miscellaneous Services.....71

 3.2.5 Frame Relay Access Service72

Issued: July 28, 1998

Effective: July 29, 1998

Joe Jensen, President
5566 Southwyck Blvd.
Toledo, Ohio 43614

ACCESS SERVICE -- CARRIER TO CARRIER

TABLE OF CONTENTS (cont'd)

3.3	Access Ordering Charges	73	
3.3.1	Access Order Charge	73	
3.3.2	Access Order Change Charge	74	
3.3.3	Service Date Change Charge.....	75	
3.3.4	Design Change Charge	75	
3.3.5	Miscellaneous Service Order Charge.....	76	
3.3.6	Cancellation of Access Order Charge	76	
4.	SWITCHED ACCESS - CARRIER COMMON LINE ACCESS SERVICE	78	
4.1	General	78	
4.1.1	Rate Categories	78	
5.	SWITCHED ACCESS - END USER ACCESS CHARGES.....	79	
5.1	Rate Categories	79	
5.1.1	End User Common Line Charge	79	
5.1.2	Federal Universal Service Fund	79	
6.	SWITCHED ACCESS SERVICE – Feature Group D Switched Service.....	81	
6.1	General	81	
6.1.1	Rate Categories	81	
6.2	Feature Group D - Digital Switched 56 Service	84	
6.2.1	General.....	84	
6.2.1.1	Rate Categories	85	
6.3	Feature Group D - Common Channel Signaling Service (SS-7).....	85	
6.3.1	General.....	85	
6.3.1.1	Rate Categories	86	
6.4	Local Number Portability (LNP) Query Service	86	(N)
6.6.1	General	86	
6.6.2	LNP Query Service Application	86.1	
6.6.3	LNP Service Provisioning	86.2	
6.6.4	Rate Regulations	86.3	(N)
			(M)
			(M)
			(M)
			(T)

ACCESS SERVICE -- CARRIER TO CARRIER

TABLE OF CONTENTS (cont'd)

6.5 (Reserved For Future Use).....	86	(M)
6.6 Switched Access Service Specifications – Company Requirements.....	86	 (M)
6.6.1 Network Management	87	
6.6.2 Transmission Specifications	87	
6.6.3 Provision of Service Performance Data.....	87	
6.6.4 Testing.....	88	
6.7 Switched Access Specifications – Customer Requirements.....	88	
6.7.1 Report Requirements	88	
6.8 Toll Free Service Access Code	89	
6.9 Rate Regulations.....	90	
6.9.1 Description and Application of Rates.....	90	
6.9.1.1 Minimum Monthly Charge.....	91	
6.9.2 Individual Case Basis Rates.....	91	
7. SPECIAL ACCESS SERVICE.....	92	
7.1 General	92	
7.2 Services Offered.....	92	
7.2.1 Voice Grade Service	93	
7.2.2 Program Audio Service.....	93	
7.2.3 Video Service	94	
7.2.4 Digital Data Service.....	94	
7.2.5 High Capacity Service	95	
7.2.5.1 DS-3 Service	95	
7.2.5.2 Synchronous Optical Service	96	
7.2.5.3 DS-1 Service	96	
7.2.5.4 DS-0 Service	97	
7.2.5.5 Multiplexing	98	

(M) Certain regulations on this page formerly appeared on page 4.

(T)

ACCESS SERVICE -- CARRIER TO CARRIER

TABLE OF CONTENTS (cont'd)

7.2.6	Certain Other Services	99
7.3	Rate Regulations.....	99
7.3.1	Description and Application of Rates.....	99
7.3.2	Minimum Period	101
7.3.3	Mileage Measurement.....	101
7.3.4	Individual Case Basis Rates.....	101
7.3.5	Surcharge for Special Services	101
8.	MISCELLANEOUS ACCESS SERVICE.....	103
8.1	General	103
8.2	Services Offered.....	103
8.2.1	Special Construction	103
8.2.2	Additional Engineering or Labor	103
8.2.3	New Services	104
8.2.4	Testing	104

ACCESS SERVICE -- CARRIER TO CARRIER

TABLE OF CONTENTS (cont'd)

8.2.5 Presubscription.....104

8.2.6 Verification of Orders for Long Distance.....105

8.2.7 Maintenance of Service.....105

8.2.8 Specialized Service or Arrangements106

8.2.9 Blocking Service.....106

8.2.10 Originating Line Screening (OLS) Service.....109

9. TELECOMMUNICATIONS SERVICE PRIORITY110

9.1 General110

9.2 Description110

9.3 Implementation.....111

9.4 Billing and Rates for Service111

10. PACKET DATA NETWORK112

10.1 Frame Relay Access Service112

10.1.1 General112

10.1.2 Service Description112

10.1.3 FRAS Ordering and Requirements.....114

10.1.4 Acceptance Testing.....115

10.1.5 Rate Categories, Regulations.....115

10.1.6 FRAS Generic Diagrams121

11. RATES FOR SERVICE123

11.1 General123

11.2 Termination Liability123

11.3 Access Ordering Rates124

11.4 Switched Access Rates.....126

11.5 Special Access Rates.....130

11.6 Telephone Service Priority143

11.7 Frame Relay Access Service Rates144

11.8 Miscellaneous Access Service - TSP146

Issued: July 28, 1998

Effective: July 29, 1998

Joseph D. Jensen, President
 5566 Southwyck Blvd.
 Toledo, Ohio 43614

ACCESS SERVICE -- CARRIER TO CARRIER

CONCURRING CARRIERS

NO CONCURRING CARRIERS

CONNECTING CARRIERS

NO CONNECTING CARRIERS

OTHER PARTICIPATING CARRIERS

NO OTHER PARTICIPATING CARRIERS

REGISTERED SERVICE MARKS

Buckeye TeleSystem, Inc.

REGISTERED TRADEMARKS

Buckeye TeleSystem, Inc.

Issued: July 28, 1998

Effective: July 29, 1998

Joseph D. Jensen, President
5566 Southwyck Blvd.
Toledo, Ohio 43614

ACCESS SERVICE -- CARRIER TO CARRIER

EXPLANATION OF SYMBOLS

C	To signify changed regulation	(T)
D	To signify discontinued regulation or rate	(T)
I	To signify increase	(T)
M	To signify matter relocated without change	(T)
N	To signify new rate or regulation	(T)
R	To signify reduction	(T)
T	To signify a change in text but no change in rate or regulation	(T)
S	To signify reissued matter	(T)
Z	To signify a correction	(T)

Issued: July 28, 1998

Effective: July 29, 1998

Joseph D. Jensen, President
5566 Southwyck Blvd.
Toledo, Ohio 43614

ACCESS SERVICE -- CARRIER TO CARRIER

EXPLANATION OF ABBREVIATIONS

ANI	Automatic Number Identification
BHMC	Busy Hour Minutes of Capacity
CABS	Carrier Access Billing
CDP	Customer Designated Premises
CI	Channel Interface
CIR	Committed Information Rate
CO	Central Office
CL	Common Line
DA	Directory Assistance
DDD	Direct Distance Dialing
DS	Digital Standard
EF	Entrance Facility
EPVC	Extended Permanent Virtual Connection
ESS	Electronic Switching System
EU	End User
EUP	End User Port
FCC	Federal Communications Commission
FG	Feature Group

Issued: July 28, 1998

Effective: July 29, 1998

Joseph D. Jensen, President
5566 Southwyck Blvd.
Toledo, Ohio 43614

ACCESS SERVICE -- CARRIER TO CARRIER

EXPLANATION OF ABBREVIATIONS (Cont'd)

FRAC	Frame Relay Access Connection	
FRAS	Frame Relay Access Service	
FRIC	Frame Relay Inter-network Connection	
IAM	Initial Address Message	
IC	Interexchange Carrier	
ICP	Inter-network Customer Port	
LATA	Local Access & Transport Area	
LA	Lifeline Assistance	
LNP	Local Number Portability	(N)
LRN	Local Routing Number	(N)
MPB	Meet Point Billing	
MTS	Message Toll Service	
NEC	New Exchange Carrier	
NRC	Nonrecurring Charge	

(M)

(M)

(T)

(M) Certain regulations previously found on this page can now be found on page 12.

Issued: November 26, 2008

Effective: November 30, 2008

Joseph D. Jensen, President
5555 Airport Highway, Suite 110
Toledo, Ohio 43615

ACCESS SERVICE -- CARRIER TO CARRIER

EXPLANATION OF ABBREVIATIONS (Cont'd)

POT	Point of Termination	(M)	
PVC	Permanent Virtual Connection		
RCC	Rural Health Care Corp.		
SLC	Schools & Libraries Corp.		
SPVC	Standard Permanent Virtual Connection		
USF	Universal Service Fund		
USAC	Universal Service Administrative Co.		(M)
VG	Voice Grade		
WATS	Wide Area Telephone Service		
WSO	WATS Service Office		

(M) Certain regulations found on this page formerly appeared on page 11. (T)

Issued: November 26, 2008

Effective: November 30, 2008

Joseph D. Jensen, President
5555 Airport Highway, Suite 110
Toledo, Ohio 43615

ACCESS SERVICE – CARRIER TO CARRIER

EXPLANATION OF DEFINITIONS

Access: The ability to enter or exit a local exchange network in order to complete an interstate communication. A connection between a Customer Premises and the Customer Designated Premises of an interexchange carrier for the transmission of communication information.

Access Charge: Charges assessed to the Customer through which the provider of the switch or facilities is compensated for use of the network components.

Access Service Request (ASR): The order placed with a Local Access Provider (Company) for Access.

Advance Payment: Part or all of a payment required before the start of service.

Carrier Common Line Charge: A charge to recover the non-traffic sensitive portion of the local loop, drop and associated equipment between the end office switch and the end user customer.

Committed Information Rate (CIR): The minimum bandwidth that would be available at any given time between two locations offering frame relay access service that would be guaranteed to go through the network.

Company: Buckeye TeleSystem, Inc., the issuer of this tariff, a competitive local exchange carrier.

Conditioning: Action taken or equipment provided to ensure appropriate transmission characteristics for specific circuits.

Customer: The person, firm or corporation which orders service and is responsible for the payment of charges and compliance with the Company's regulations.

Customer Designated Premises (CDP): Premises designed by the Customer for the provision of access service.

Customer Node: The equipment located at a customer designated premises that terminates a high speed optical channel and converts the signal from an optical to an electrical format.

Issued: July 28, 1998

Effective: July 29, 1998

Joseph D. Jensen, President
5566 Southwyck Blvd.
Toledo, Ohio 43614

ACCESS SERVICE -- CARRIER TO CARRIER

Customer Serving Wire Center: The end office or wire center from which a Customer normally receives a dial tone. The point for a circuit's first point of trunking or switching.

Dedicated Facility: A facility, circuit or equipment system or subsystem set aside for the sole use of a specific Customer.

Dial Tone Office: The local switching center where dial tone is provided for service.

Duplex Service: Service which provides for simultaneous transmission in both directions.

End User: Users of local telecommunications carrier's services who are not carriers.

End User Common Line Charge: A recurring flat monthly charge per line to residential and business end users. This charge covers a portion of the local loop costs.

Equal Access: The service which provides trunk connection to switched network services that is equal in type, quality and price to the same service provided to AT&T.

Exchange: The geographic area established by the Company and approved by the regulatory commission for the provision of local telecommunications services.

Extended Permanent Virtual Connection (EPVC): The term denotes the interconnection of a port on a Buckeye TeleSystem frame relay network with a port on another interconnected frame relay network.

Fiber Optic Line: A thin filament of glass with a protective outer coating through which a light beam carrying communications signals may be transmitted by means of multiple internal reflections to a receiver which translates the message.

Issued: July 28, 1998

Effective: July 29, 1998

Joseph D. Jensen, President
5566 Southwyck Blvd.
Toledo, Ohio 43614

ACCESS SERVICE -- CARRIER TO CARRIER

Frame: A group of data bits in a specific format, which enables network equipment to recognize the meaning and purpose of the specific bits for Packet Data Network purposes.

Frame Relay Access Connection (FRAC): The physical facility, including the associated port, between the end user's data terminal equipment and the Company's frame relay switch.

Frame Relay Access Service (FRAS): A type of packet data network service that allows the interconnection of other carrier's networks or other compatible customer premises equipment for the purpose of connecting to a frame relay network for transmission of data in frame packets.

Frame Relay End User Port: A physical location in the Company switching office where the end user customer connects to the frame relay switch/frame relay network. It specifies how a frame relay switch sends and receives data.

Frame Relay Inter-network Connection (FRIC): The physical facility, including associated port, between the access customer's frame relay network and the Company's frame relay switch.

Frame Relay Inter-network Customer Port (IUP): The physical location in the Company's switching office where the access customer's facility connects to the frame relay access service network. The IUP specifies how a frame relay switch sends and receives data from a frame relay access customer's network.

High Capacity Special Services: An Access Service channel for the transmission of isochronous serial data at rates of 1.544, 3.152, 6.312, 44.736 or 274.176 Megabits per second (Mbps).

Hub: A physical arrangement/location where bridging and/or multiplexing functions are provided.

Individual Case Basis (ICB): Pricing arrangement based on unique customer request.

Initial Address Message (IAM): A Common Channel Signaling feature where an SS7 message is sent/received to initiate trunk setup with the busying of an outgoing/incoming trunk that carries information relating to the routing and handling of the call on that trunk to the next switch.

N
|
N

Interexchange Carrier: A carrier engaged in the provision of intrastate, interstate or international telecommunications services.

Issued: June 18, 2004

Effective: June 21, 2004

Joseph D. Jensen, President
5566 Southwyck Blvd.
Toledo, Ohio 43614

ACCESS SERVICE -- CARRIER TO CARRIER

Kbps: Kilobits, denotes one thousand bits per second.

Local Access and Transport Area: Geographic areas established for defining the territory within which a Bell Operating Company may offer its exchange telecommunications and exchange access services. Other communications entities may be associated with a BOC LATA or Independent Exchange Carriers' Market Service Area.

Local Number Portability: Allows an End User to maintain the same telephone number when changing from one Local Service Provider (LSP) to another.

Local Routing Number: The number used to direct the call to the correct Local Service Provider (LSP) network switch for completion when the End User has ported its telephone number to an LSP other than the LSP assigned the NPA-NXX of the End User telephone number.

(N)
|
(N)

Mbps: Megabits, denotes millions of bits per second.

Market Service Area: The geographic area established by an Independent Exchange Carrier not associated with a Bell Operating Company LATA within which they may offer exchange or exchange access telecommunications service.

Meet Point: A point designated by two Exchange Carriers for billing purposes.

Mixed Use: The use of Switched Access and Special Access services over the same wideband and high capacity facilities through a common interface.

Multiplexing: The process of combining multiple parallel circuits into a single communications channel.

Network: The Company's fiber optics based facilities and/or purchased facilities as part of an interconnection agreement.

(M)
|
(M)

(M) Material previously found on this page can now be found on 2nd Revised Page No. 17.

Issued: November 26, 2008

Effective: November 30, 2008

Joseph D. Jensen, President
5555 Airport Highway, Suite 110
Toledo, Ohio 43615

ACCESS SERVICE -- CARRIER TO CARRIER

Nonrecurring Charge: A one-time charge, generally applied to activities associated with the establishment of service, construction, rearrangements, and/or optional features and functions.

(M)

Optical Carrier Channel: The high speed optical communications path for transporting information utilizing a Synchronous Optical Channel platform.

Optional Features and Functions: These are features and functions a Customer may order to improve the quality or utility of Access Services.

(M)

Packet Data Network: A high-speed digital data transport mechanism that moves variable-length packets or frames through the network to the same or different addresses.

Pay Telephone: The term denotes a coin or coinless instrument provided in a public or semipublic place where Payphone Service Provider customers can originate telephonic communications and pay the applicable charges by (1) inserting coins into the equipment, or (2) using a credit card, or (3) third party billing the call, or (4) calling collect.

Payphone Service Provider: The term denotes an entity that provides pay telephone service, which is the provision of public, semi public or inmate pay telephone service.

Permanent Virtual Connection (PVC): The term denotes a software defined, end-to-end, bi-directional communications path within the frame network/switch to connect a Frame Relay and User Port.

Premises: Space occupied by a Customer or authorized user in a building or buildings or contiguous property (except railroad rights-of-way) not separated by a highway.

Presubscription: A process that allows an End User served by an equal access office to select in advance an interexchange carrier automatically for toll communication.

Point of Termination: A physical point within a LATA or Market Service Area at which the Company's responsibility for access service ends.

(MM)

(M) Material found on this page was previously found on Original Page No. 16.

(MM) Material previously found on this page can now be found on 1st Revised Page No. 18.

Issued: November 26, 2008

Effective: November 30, 2008

Joseph D. Jensen, President
5555 Airport Highway, Suite 110
Toledo, Ohio 43615

ACCESS SERVICE -- CARRIER TO CARRIER

Recurring Charges: Monthly charges to the Customer for services, facilities and equipment which continue for the agreed-upon duration of the service.

(M)

RMS Jitter: Short-term variations of the significant instants of a digital signal, peak to peak, from their ideal positions in time.

(M)

Service Order: A written request for Access Services initiated by the Customer to the Company in the format devised by the Company. It is sometimes referred to as an Access Service request (ASR). The signing of a Service Order by the Customer and acceptance by the Company initiates the respective obligations of the parties set forth herein pursuant to this tariff, but the duration of service is calculated from the Service Commencement Date.

Service Commencement Date: The first day following the date on which the Company notifies the Customer that the requested service or facility is available for use, unless extended by the Customer's refusal to accept service which does not conform to standards set forth in the Service Order or this tariff. In the latter case, the Service Commencement Date is the date of the Customer's acceptance. The parties may mutually agree on a substitute Service Commencement Date.

Special Access Service: Generally dedicated (private line) facilities between two or more Customer Designated Premises.

Standard Permanent Virtual Connection (SPVC): The connection of ports within the same frame relay network or switch. A software connection sometimes referred to as Permanent Virtual Connection (PVC).

Switched Access Service: Access to the Company's local switch network by an interexchange carrier for the purposes of originating and/or terminating jurisdictional communications.

Transport Interconnection Charge: A per-access minute charge applicable to transport per FCC CC Docket No. 91-213, Report and Order, March 5, 1998.

Wire Center: A building in which the Company's switching center is located for the purpose of providing service.

(M) Material found on this page was previously found on 1st Revised Page No. 17.

Issued: November 26, 2008

Effective: November 30, 2008

Joseph D. Jensen, President
5555 Airport Highway, Suite 110
Toledo, Ohio 43615

ACCESS SERVICE -- CARRIER TO CARRIER

REFERENCE TO OTHER TARIFFS AND/OR PUBLICATIONS

The following tariffs are referenced in this tariff and may be obtained as shown: (x)

National Exchange Carrier Association
100 S. Jefferson
Whippany, NJ
Wire Center Information
Tariff FCC No. 4

NECA technical publication—PUB AS No. 1, Issue II Access Service
Issued May 1994

Various Technical Publications are referenced in this tariff and may be obtained from:

Bell Communications Research, Inc.
Customer Services Division
60 New England Avenue
Piscataway, NJ

Technical Reference

Multiple Exchange Carrier Access Billing (MECAB) Guidelines
Issued Dec. 1990

Small Exchange Carrier Access Billing (SECAB) Guidelines
Issued Nov. 1994

TR-NWT-000334 Issue 2 Voice Grade Switched Access Service
Transmission Parameter Limits and Interface Codes
Issued Sept. 1990 (x)

(x) Issued under the authority of Special Permission No. 98-160
of the Federal Communications Commission

Issued: July 28, 1998

Effective: July 29, 1998

Joseph D. Jensen, President
5566 Southwyck Blvd.
Toledo, Ohio 43614

ACCESS SERVICE -- CARRIER TO CARRIER

REFERENCE TO OTHER TARIFFS AND/OR PUBLICATIONS (Cont'd)

TR-INS-000342 Hi Cap Digital Special Access Service Issued Feb. 1992	(x)
ANSI T1.107a	
47 C.F.R. Part 64	
47 C.F.R. Part 68	(x)

(x) Issued under the authority of Special Permission No. 98-160
of the Federal Communications Commission

Issued: July 28, 1998

Effective: July 29, 1998

Joseph D. Jensen, President
5566 Southwyck Blvd.
Toledo, Ohio 43614

ACCESS SERVICE -- CARRIER TO CARRIER

1. APPLICATION OF TARIFF

- 1.1 This tariff sets forth the regulations, rates and charges for the provision of interstate access service (hereinafter Services) within either the states of Ohio and Michigan provided over the facilities of Buckeye TeleSystem, Inc., (a NEC) headquartered in Toledo, OH. (C)
(C)
- 1.2 Services provided to Customers of Buckeye TeleSystem, Inc., (hereinafter Company,) include, but are not limited to Common Line, Switched & Special Access, Optional Features & Functions and other Miscellaneous Access Services associated with the provision of Access Services.
- 1.3 Unless otherwise indicated, for purpose of this tariff, the reference to "state" shall mean either the State of Ohio or the State of Michigan based on the state within which the Company's facilities are being used to provide the service. (N)
|
(N)

ACCESS SERVICE -- CARRIER TO CARRIER

2. GENERAL REGULATIONS

2.1 Undertaking of the Company

2.1.1 Scope

The Company undertakes to provide Service(s) and the furnishing of interstate transmission of information originating and terminating in the State of Ohio or in the State of Michigan.

(C) (N)

2.1.2 Terms and Conditions

2.1.2.1 Services are provided 24 hours daily, seven days per week except as set forth in other applicable sections of this tariff. Service is provided on the basis of a minimum period of one month. For purposes of computing charges in this tariff, a month is considered to have 30 days.

2.1.2.2 Customers are required to enter written service orders (ASR) with specific descriptions of service(s) ordered as more specifically covered in the Access Ordering (Section 3) of this tariff.

2.1.2.3 The Company does not undertake to transmit messages under this tariff or jointly participate in the Customer's communications. The Customer shall be solely responsible for message content.

2.1.2.4 The Company will, for maintenance purposes, test its service to the extent necessary to detect and/or clear troubles.

ACCESS SERVICE -- CARRIER TO CARRIER

2. GENERAL REGULATIONS (Cont'd)

2.1 Undertaking of the Company (Cont'd)

2.1.2 Terms and Conditions (Cont'd)

2.1.2.5 At the expiration of the initial term specified in each service order, or in any extension thereof, service shall continue on a month-to-month basis at the then-current rates unless terminated by either party upon 30 days written notice. Any termination shall not relieve Customer of its obligation to pay any charges incurred under the service order and this tariff prior to termination.

2.1.2.6 Service may be terminated on written notice to the Customer if the Customer is using the service in violation of the tariff or the Customer is using the service in violation of the law.

2.1.2.7 This tariff shall be interpreted and governed by the rules and/or guidelines of the Federal Communications Commission.

ACCESS SERVICE -- CARRIER TO CARRIER

2. GENERAL REGULATIONS (Cont'd)

2.1 Undertaking of the Company (Cont'd)

2.1.3 Limitations

2.1.3.1 Assignment or Transfer of Services

The Customer may assign or transfer the use of Service(s) provided under this tariff only where there is no interruption of use or relocation of the Service(s). Such assignment or transfer may be made to:

- (1) Another Customer, whether an individual, partnership, association or corporation provided the assignee or transferee assumes all outstanding indebtedness for such services, and the unexpired portion of the minimum period and any termination liability applicable to such Service(s).
- (2) In all cases of assignment or transfer, the written acknowledgment of the Company is required prior to such assignment or transfer. This acknowledgment shall be made within 15 days from the receipt of notification. All regulations and conditions contained in this tariff shall apply to such assignee or transfer.
- (3) The assignment or transfer of services does not relieve or discharge the assignor or transferor from remaining jointly or severally liable with the assignee or transferee for any obligations existing at the time of the assignment or transfer.

ACCESS SERVICE -- CARRIER TO CARRIER

2. GENERAL REGULATIONS (Cont'd)

2.1 Undertaking of the Company (Cont'd)

2.1.3 Limitations (Cont'd)

2.1.3.2 Provisioning Sequence

The services offered herein will be provided to Customers on a first-come, first-served basis. The first-come, first-received sequence shall be based on the received time and date recorded by stamp or other notation by the Company on the Customer's Access Service Request (ASR). ASRs must contain all the required information for each respective service so delineated in other sections of this tariff. The Customer's ASRs will not be deemed to have been received until such information is provided.

2.1.3.3 Ownership of Facilities

The title to all facilities provided in accordance with this tariff remains in the Company, its agents or contractors, or successors and assigns.

ACCESS SERVICE -- CARRIER TO CARRIER

2. GENERAL REGULATIONS (Cont'd)

2.1 Undertaking of the Company (Cont'd)

2.1.3 Limitations (Cont'd)

2.1.3.4 Liability

- 2.1.3.4.1 The liability of the Company for damages arising out of the furnishing of its services, including but not limited to mistakes, omissions, interruptions, delays, or errors or other defects, representations, or use of these services or arising out of failure to furnish the service, whether caused by acts or omission, shall be limited to an amount which shall not exceed an amount equal to the proportionate charge for the period during which the Service was affected. The grant of such an amount for interruption shall be the sole remedy of the Customer and the sole liability of the Company. Company shall not be liable for any indirect, incidental, special or consequential damages, including loss of profits, goodwill, revenue, data, or use, incurred by Customer or by any third party whether in an action in contract or tort, even if such damages were foreseeable or Company had been advised of the possibility of such damages. Company shall bear no liability for use of equipment or service provided in connection with life support systems or devices.

ACCESS SERVICE -- CARRIER TO CARRIER

2. GENERAL REGULATIONS (Cont'd)

2.1 Undertaking of the Company (Cont'd)

2.1.3 Limitations (Cont'd)

2.1.3.4 Liability (Cont'd)

2.1.3.4.2 The Company shall not be liable for any delay or, failure of performance or equipment due to causes beyond its control, including but not limited to: acts of God, fire, flood, explosion, or other catastrophes; any law, order, regulation, direction, action, or request of the U. S. Government, or of any department, agency, commission, bureau, corporation, or other instrumentality of any one or more of these federal, state, or local governments, or of any civil or military authority; national emergencies; insurrections, riots, wars; unavailability of rights-of-way or materials; or strikes, lockouts, work stoppages, or other labor difficulties.

2.1.3.4.3 The Company shall not be liable for (a) any act or omission of any entity furnishing to the Company or to the Company's Customers facilities or equipment used for connection to the Company's Services; or (b) for the acts or omissions of common carriers or warehousemen.

ACCESS SERVICE -- CARRIER TO CARRIER

2. GENERAL REGULATIONS (Cont'd)

2.1 Undertaking of the Company (Cont'd)

2.1.3 Limitations (Cont'd)

2.1.3.4 Liability (Cont'd)

2.1.3.4.4 The Company shall not be liable for any damages or losses due to the fault or negligence of the Customer due to the failure or malfunction of Customer-provided equipment or facilities.

2.1.3.4.5 The Company does not guarantee nor make any warranty with respect to installations it provides for use in an explosive atmosphere. The Customer indemnifies and holds the Company harmless from any and all loss, claims, demands, suits, or other action, or any liability whatsoever, whether suffered, made, instituted, or asserted by any loss, damage, or destruction of any property, whether owned by the Customer or others, caused or claimed to have been caused directly or indirectly by the installation, operation, failure to operate, maintenance, removal presence, condition, location, or use of any installation so provided. The Company reserves the right to require each Customer to sign an agreement acknowledging acceptance of the provisions of this Section as a condition precedent to such installations.

ACCESS SERVICE -- CARRIER TO CARRIER

2. GENERAL REGULATIONS (Cont'd)

2.1 Undertaking of the Company (Cont'd)

2.1.3 Limitations (Cont'd)

2.1.3.4 Liability (Cont'd)

2.1.3.4.6 The Company is not liable for any defacement of or damage to Customer premises resulting from the furnishing of Service(s) or equipment on such premises or the installation or removal thereof, unless such defacement or damage is caused by negligence or willful misconduct of the Company's employees or agents.

2.1.3.4.7 The Company shall be indemnified, defended and held harmless by the Customer against any claim, loss or damage arising from the Customer's use of Service(s), involving claims for libel, slander, invasion of privacy, or infringement of copyright arising from the Customer's own communications.

ACCESS SERVICE -- CARRIER TO CARRIER

2. GENERAL REGULATIONS (Cont'd)

2.1 Undertaking of the Company (Cont'd)

2.1.3 Limitations (Cont'd)

2.1.3.4 Liability (Cont'd)

2.1.3.4.8 The entire liability for any claim, loss, damage or expense from any cause whatsoever shall in no event exceed sums actually paid Company by Customer for the specific Service(s) giving rise to the claim. No action or proceeding against the Company shall be commenced more than two years after the Service is rendered.

2.1.3.4.9 The Company makes no warranties or law, statutory representations, express or implied either in fact or by operation of or otherwise, including warranties of merchantability or fitness for a particular use.

ACCESS SERVICE -- CARRIER TO CARRIER

2. GENERAL REGULATIONS (Cont'd)

2.1 Undertaking of the Company (Cont'd)

2.1.4 Provision of Equipment and Facilities

2.1.4.1 The Company shall use reasonable efforts to make available Service(s) to a Customer on or before a particular date, subject to the provisions of and compliance by the Customer, with the regulations contained in this tariff and subject to the availability of services from other carriers relied upon by the Company for the provision of the Company's Service(s). The Company does not guarantee availability by any such date and shall not be liable for any delays in commencing Service to any Customer.

2.1.4.2 The Company shall use reasonable efforts to maintain facilities and equipment that it furnishes to the Customer. The Customer may not, nor may Customer permit others to rearrange, disconnect, remove, attempt to repair, or otherwise interfere with any of the facilities or equipment installed by the Company, except upon written consent of the Company.

ACCESS SERVICE -- CARRIER TO CARRIER

2. GENERAL REGULATIONS (Cont'd)

2.1 Undertaking of the Company (Cont'd)

2.1.4 Provision of Equipment and Facilities (Cont'd)

- 2.1.4.3 The Company may substitute, change, or rearrange any equipment or facility at any time and from time to time, but shall not thereby alter the technical parameters of the Service provided the Customer.
- 2.1.4.4 Equipment the Company provides or installs at the Customer Premises for use in connection with the Service(s) the Company offers shall not be used for any purpose other than that for which the Company provided it.
- 2.1.4.5 The Customer shall be responsible for the payment of Service charges as set forth herein for visits by the Company's employees or agents to the Premises of the Customer when the Service difficulty or trouble report results from the use of equipment or facilities provided by any party other than the Company, including but not limited to the Customer.
- 2.1.4.6 The Company shall not be responsible for the installation, operation, or maintenance of any Customer-provided communications equipment. Where such equipment is connected to the facilities furnished pursuant to this tariff, the responsibility of the Company shall be limited to the furnishing of facilities or Service(s) offered under this tariff, and to the maintenance and operation of such facilities or Service(s). Subject to this responsibility, the Company shall not be responsible for:

ACCESS SERVICE -- CARRIER TO CARRIER

2. GENERAL REGULATIONS (Cont'd)

2.1 Undertaking of the Company (Cont'd)

2.1.4 Provision of Equipment and Facilities (Cont'd)

2.1.4.6 (Cont'd)

- (a) the transmission of signals by Customer-provided equipment or for the quality of, or defects in such transmission;
- (b) or the reception of signals by Customer-provided Equipment.

2.1.5 Equipment or Facilities

- 2.1.5.1 The Company will provide to the Customer, upon reasonable notice, the Service(s) offered in other applicable sections of this tariff at rates and charges specified therein. Service(s) will be made available to the extent that such Service(s) is or can be made available with reasonable effort, and after provision has been made for the Company's telephone exchange services.
- 2.1.5.2 The Company reserves the right to limit or allocate the use of existing facilities, or of additional facilities offered, when necessary because of a lack of facilities or due to some other cause beyond the Company's control.
- 2.1.5.3 The Service(s) provided under this tariff will include any entrance cable or drop wiring and wire or intra-building cable to that point where provision is made for termination of the Company's outside distribution network facilities at a suitable location inside a customer-designated premises. Such wiring or cable will be installed by the Company to the Point of Demarcation.

ACCESS SERVICE -- CARRIER TO CARRIER

2. GENERAL REGULATIONS (Cont'd)

2.1 Undertaking of the Company (Cont'd)

2.1.5 Equipment or Facilities (Cont'd)

2.1.5.4 The Company may, where such action is reasonably required in the operation of its business, substitute, change or rearrange any facilities used in providing Service(s) under this tariff. The Company shall not be responsible if any such substitution, change or rearrangement renders any customer-furnished equipment or Service(s) obsolete or requires modification or alteration thereof or otherwise affects the operating characteristics of the equipment, facility or Service. The Company will provide reasonable notification to the Customer in writing. The Company will work cooperatively with the Customer and provide reasonable time for any redesign and implementation required by the change in operating characteristics.

2.1.6 Notification of Service-Affecting Activities

2.1.6.1 The Company will provide the Customer reasonable notification of Service-affecting activities that may occur in normal operation of its business. Such activities may include, but are not limited to, equipment or facilities additions, removals or rearrangements, and routine preventive maintenance. Generally, such activities are not specific to an individual Customer, but affect many Customers' Service(s). No specific advance notice period is applicable to all Service activities. The Company will work cooperatively with the Customer to determine the reasonable notification requirements. With some

Toledo, Ohio 43614

ACCESS SERVICE -- CARRIER TO CARRIER

2. GENERAL REGULATIONS (Cont'd)

2.1 Undertaking of the Company (Cont'd)

2.1.6 Notification of Service-Affecting Activities (Cont'd)

2.1.6.1 (Cont'd)

emergency or unplanned Service-affecting conditions, such as an outage resulting from cable damage, notification to the Customer might not be possible.

2.1.7 Non-routine Installation

2.1.7.1 At the Customer's request, installation and/or maintenance may be performed outside the Company's regular business hours or in hazardous locations. In such cases, charges based on cost of the actual labor, material, or other costs incurred by or charged to the Company will apply. If installation is started during regular business hours, but, at the Customer's request, extends beyond regular business hours into time periods including, but not limited to, weekends, holidays, and/or night hours, additional installation charges will be adjusted to reflect increases in costs incurred by the Company.

2.1.8 Special Construction/Special Arrangements

2.1.8.1 Subject to the plans of the Company and to all of the regulations contained in this tariff, special construction or special arrangements to acquire facilities may be undertaken on a reasonable-efforts basis at the request of the Customer. Special construction is that construction undertaken of a type other than

ACCESS SERVICE -- CARRIER TO CARRIER

2. GENERAL REGULATIONS (Cont'd)

2.1 Undertaking of the Company (Cont'd)

2.1.8 Special Construction/Special Arrangements (Cont'd)

2.1.8.1 (Cont'd)

that which the Company would normally utilize in furnishing its Service(s): over a route other than that which the Company utilize in furnishing its Service(s); where facilities are not presently available, and no other requirement exists for the facilities so constructed; on a temporary basis until permanent facilities are available; in a quantity greater than that which the Company would normally construct; facilities required on an expedited basis and/or requiring abnormal costs; or in advance of its normal construction. Special Construction charges will be determined and approved by the Customer prior to the start of such construction.

2.1.8.2 Special arrangements generally refer to the procurement of facilities where Company facilities are not available and where arrangements or agreements from another entity are required to provision the Service. Special arrangements do not normally require additional costs, but may require additional time to provision.

ACCESS SERVICE -- CARRIER TO CARRIER

2. GENERAL REGULATIONS (Cont'd)

2.2 Obligations of the Customer

The Customer shall be responsible for the following:

- (a) ensuring that the characteristics and methods of operation of any circuits, facilities or equipment not provided by the Company and associated with the facilities utilized to provide Service(s) under this tariff shall not interfere with or impair Service over facilities of the Company; cause damage to its plant; impair privacy or create hazards to employees or the public;
- (b) the Service provided under this tariff shall not be used for an unlawful purpose or used in an abusive manner which would reasonably be expected to frighten, abuse, torment or harass another or interfere with use of Service by one or more other Customers;
- (c) Customers who intend to use the Company's offerings for resale and/or for shared use may be required to file a letter with the Company confirming that their use of the Company's offerings complies with relevant laws and FCC regulations, policies, orders, guidelines and decisions;
- (d) payment of all applicable charges pursuant to this tariff;
- (e) damage to or loss of the Company's facilities or equipment caused by acts or omissions of the Customer; or noncompliance by the Customer; or by fire or theft or other casualty on the Customer Premises, unless caused by the negligence or willful misconduct of the Company's employees or agents;
- (f) providing at no charge, as specified from time to time by the Company, any needed personnel, equipment, space, and power to operate Company facilities and equipment installed on the premises of the Customer, and the level of heating and air conditioning necessary to maintain proper operating environment on such premises;

Issued: July 28, 1998

Effective: July 29, 1998

Joseph D. Jensen, President
5566 Southwyck Blvd.
Toledo, Ohio 43614

ACCESS SERVICE -- CARRIER TO CARRIER

2. GENERAL REGULATIONS (Cont'd)2.2 Obligations of the Customer (Cont'd)

- (g) where applicable, obtaining, maintaining, and otherwise having full responsibility for all rights-of-way and conduit necessary for installation of cables and associated equipment used to provide services to the Customer from the building service entrance or property line to the location of the equipment space. Any costs associated with the obtaining and maintaining the rights-of-way described herein, including the costs of altering the structure to permit installation of the Company-provided facilities, shall be borne entirely by, or may be charged by the Company, to the Customer;
- (h) providing a safe place to work and complying with all laws and regulations regarding the working conditions on the premises at which the Company employees and agents shall be installing or maintaining the Company's facilities and equipment. The Customer may be required to install and maintain Company facilities and equipment within a hazardous area if, in the Company's opinion, injury or damage to the Company's employees or property might result from installation or maintenance by the Company. The Customer shall be responsible for identifying, monitoring, removing, and disposing of any hazardous material (e.g., friable asbestos) prior to any construction or installation work;
- (i) complying with all laws and regulations applicable to, and obtaining all consents, approvals, licenses, and permits as may be required with respect to the location of Company facilities and equipment in any Customer premises or the rights-of-way for which Customer is responsible under 2.2(g) and granting or obtaining permission for Company agents or employees to enter the premises of the Customer at any time for the purpose of installing, inspecting, maintaining, testing, repairing, or upon termination of service as stated herein, removing the facilities or equipment of the Company;

ACCESS SERVICE -- CARRIER TO CARRIER

2. GENERAL REGULATIONS (Cont'd)

2.2 Obligations of the Customer (Cont'd)

- (j) not creating or allowing to be placed any liens or other encumbrances on the Company's equipment or facilities; and
- (k) Customers will use the Service provided by the Company in a manner, and at all times, consistent with the tariff obligations identified herein and shall not utilize the Company's Service(s) in any manner that:
 - Interferes with or impairs the Services(s) of the Company, other carriers, or other Customers;
 - Causes damage to Company facilities;
 - Interferes with the privacy of communications;
 - Creates a hazard to the Company's employees or the public; or
 - Interferes, frightens, abuses, torments, harasses or unreasonably interferes with the use of the Company's Service by others.

ACCESS SERVICE -- CARRIER TO CARRIER

2. GENERAL REGULATIONS (Cont'd)

2.2 Obligations of the Customer (Cont'd)

2.2.1 Claims

With respect to any Service or facility provided by the Company, Customer shall indemnify, defend, and hold harmless the Company from and against all claims, actions, damages, liabilities, costs, and expenses for:

- (a) any loss, destruction, or damage to property of the Company or any third party, or the death or injury to persons, including, but not limited to, employees, or invitees of either party, to the extent caused by or resulting from the negligent or intentional act or omission of the Customer, its employees, agents, representatives, or invitees; or
- (b) any claim, loss, damage, expense, or liability for infringement of any copyright, patent, trade secret, or any proprietary or intellectual property right of any third party, arising from any act or omission by the Customer, including, without limitation, use of the Company's Service(s) and facilities in a manner not contemplated by the agreement between Customer and Company.

2.3 Customer Equipment and Channels

2.3.1 General

A Customer may transmit or receive information or signals via the facilities of the Company. The Company's Services are designed primarily, but not exclusively, for the transmission of voice-grade telephonic signals, except as otherwise stated in this tariff. The Company does not guarantee that its Service(s) will be suitable for purposes other than voice grade telephonic communication except as specifically stated in this tariff.

ACCESS SERVICE -- CARRIER TO CARRIER

2. GENERAL REGULATIONS (Cont'd)

2.3 Customer Equipment and Channels (Cont'd)

2.3.2 Terminal Equipment

2.3.2.1 Terminal equipment on the Customer Premises and the electric power consumed by such equipment shall be provided by and maintained at the expense of the Customer.

2.3.2.2 The Customer is responsible for ensuring that Customer-provided equipment connected to Company equipment and facilities is compatible with such equipment and facilities. The magnitude and character of the voltages and currents impressed on Company-provided equipment and wiring by the connection, operation, or maintenance of such equipment and wiring shall be such as not to cause damage to the Company-provided equipment and wiring or injury to the Company's employees or to other persons. Any additional protective equipment required to prevent such damage or injury shall be provided by the Company at the Customer's expense.

2.3.3 Interconnection of Facilities

2.3.3.1 Any special interface equipment necessary to achieve compatibility between the facilities and equipment of the Company used for furnishing Communications Services and the channels, facilities, or equipment of others shall be provided at the Customer's expense.

ACCESS SERVICE -- CARRIER TO CARRIER

2. GENERAL REGULATIONS (Cont'd)

2.3 Customer Equipment and Channels (Cont'd)

2.3.3 Interconnection of Facilities (Cont'd)

2.3.3.2 Communications Services may be connected to the services or facilities of other communications carriers only when authorized by, and in accordance with the terms and conditions of the tariffs or contracts of other communications carriers which are applicable to such connections.

2.3.3.3 Facilities furnished under this tariff may be connected to Customer-provided terminal equipment in accordance with the provisions of this tariff. All such terminal equipment shall be registered by the Federal Communications pursuant to Part 68 of Title 47, Code of Federal Regulations; and all Customer-provided wiring shall be installed and maintained in compliance with those regulations. (x)

2.3.4 Inspections

2.3.4.1 Upon notification to the Customer, and at a reasonable time, the Company may make such tests and inspections as may be necessary to determine that the Customer is complying with the requirements set forth in Section 2.3.2 for the installation, operation and maintenance of Customer-provided facilities, equipment, and wiring in the connection of Customer-provided facilities and equipment to Company-owned facilities and equipment.

(x) Issued under the authority of Special Permission No. 98-160 of the Federal Communications Commission

Issued: July 28, 1998

Effective: July 29, 1998

Joseph D. Jensen, President
5566 Southwyck Blvd.
Toledo, Ohio 43614

ACCESS SERVICE -- CARRIER TO CARRIER

2. GENERAL REGULATIONS (Cont'd)

2.3 Customer Equipment and Channels (Cont'd)

2.3.4 Inspections (Cont'd)

2.3.4.2 If the protective requirements for Customer- provided equipment are not being complied with, the Company may take such action as it deems necessary to protect its facilities, equipment, and personnel. The Company will notify the Customer promptly if there is any need for further corrective action. Within ten days of receiving this notice, the Customer must take this corrective action and notify the Company of the action taken. If the Customer fails to do this, the Company may take whatever additional action is deemed necessary, including the suspension of service, to protect its facilities, equipment and personnel from harm.

2.3.5 Prohibited Uses

2.3.5.1 The Service(s) the Company offers shall not be used for any unlawful purpose or for any use as to which the Customer has not obtained all required governmental approvals, authorization, licenses, consents, and permits.

2.3.5.2 The Company may require applicants for Service who intend to use the Company's offerings for resale and/or shared use to file a letter with the Company confirming that their use of the Company's offerings complies with relevant laws, and FCC regulations, policies, guidelines, orders and decisions.

ACCESS SERVICE -- CARRIER TO CARRIER

2. GENERAL REGULATIONS (Cont'd)

2.3 Customer Equipment and Channels (Cont'd)

2.3.5 Prohibited Uses (Cont'd)

2.3.5.3 The Company may require a Customer to immediately stop its transmission of signals if said transmission is causing interference to others.

2.4 Payment Arrangements

2.4.1 Payment for Service

The Company shall bill on a current basis all charges incurred by and credits due to the Customer under this tariff attributable to Service(s) established or discontinued during the preceding billing period. End User Common Line Service (End User Service) charges are billed in advance. Charges for the Federal Government are billed in arrears.

Bills will be rendered monthly to the Customer. Each month may have one or more billing dates (cycles) when customer bills are mailed, based on billing system requirements. The Company will endeavor to mail its bills on or before the same date each month to each customer. Should the billing cycle be changed for a particular Customer, the Company will advise the Customer in writing no less than 60 days before the cycle is changed. An alternate billing schedule will not be initiated more than twice in any consecutive twelve-month period.

2.4.1.1 The Customer is responsible for payment of appropriate sales, use, gross receipts, excise, access or other local, state and federal taxes, charges or surcharges (however designated) (excluding taxes on the Company's net income) imposed or based upon the provision, sale, or use of the Company's Service(s).

Issued: July 28, 1998

Effective: July 29, 1998

Joseph D. Jensen, President
5566 Southwyck Blvd.
Toledo, Ohio 43614

ACCESS SERVICE -- CARRIER TO CARRIER

2. GENERAL REGULATIONS (Cont'd)

2.4 Payment Arrangements (Cont'd)

2.4.2 Billing and Collection of Charges

2.4.2.1 All service, installation, and monthly Recurring and Non-Recurring Charges (except those for End User Service) are due on or before the 19th calendar day following the date of the bill, or the 14th calendar day following receipt of the bill, whichever is later.

2.4.2.2 The Company shall present bills for Recurring Charges monthly to the Customer in advance of the month which service is provided.

2.4.2.3 For new Customers or existing Customers whose service is disconnected, the charge for the fraction of the month in which service was furnished will be calculated on a pro rata basis. For this purpose, every month is considered to have 30 days.

2.4.2.4 Amounts not paid in accordance with Section 2.4.2.1 are considered past due.

2.4.2.5 When Service does not begin on the first day of the month, or end on the last day of the month, the charge for the fraction of the month in which Service was furnished will be calculated on a pro-rate basis with every month considered to have 30 days.

ACCESS SERVICE -- CARRIER TO CARRIER

2. GENERAL REGULATIONS (Cont'd)

2.4 Payment Arrangements (Cont'd)

2.4.2 Billing and Collection Charges (Cont'd)

2.4.2.6 Billing of the Customer by the Company will begin on the Service Commencement Date, which is the first day following the date on which the Company notifies the Customer that the Service or facility is available for use, except that the Service Commencement Date may be postponed by mutual agreement of the parties, or if the Service or facility does not conform to standards set forth in this tariff. The Service Order Billing accrues through and includes the day that the Service, circuit, arrangement or component is discontinued.

2.4.2.7 If any portion of the Customer's payment is received by the Company after the date due, or if any portion of the payment is received by the Company in funds which are not immediately available, then a late payment penalty shall be due the Company. The late payment penalty shall be the portion of the payment not received by the due date, multiplied by a late factor. The late factor shall be the lesser of:

- (a) the highest interest rate (in decimal value) which may be levied by law for commercial transactions, compounded daily from the payment date to and including the date the Customer actually makes the payment to the Company; or
- (b) 0.000292 per day, compounded daily for the number of days from the payment date to and including the date the Customer actually makes payment to the Company.

Issued: July 28, 1998

Effective: July 29, 1998

Joseph D. Jensen, President
5566 Southwyck Blvd.
Toledo, Ohio 43614

ACCESS SERVICE -- CARRIER TO CARRIER

2. GENERAL REGULATIONS (Cont'd)

2.4 Payment Arrangements (Cont'd)

2.4.2 Billing and Collection of Charges (Cont'd)

Late payment penalty charge shall apply to disputed amounts resolved in favor of the Company.

2.4.2.8 In addition to other penalties or fees, the Customer will be assessed a charge of twenty dollars (\$20) for each check submitted by the Customer to the Company which a financial institution refuses to honor for insufficient funds or a non-existent account.

2.4.2.9 If Service is disconnected by the Company in accordance with Section 2.5.6 following, and later restored, restoration of Service will be subject to all applicable reconnection or reestablishment charges.

2.4.3 Advance Payments

To safeguard its interests, the Company may require a Customer to make an advance payment before services and facilities are furnished. The advance payment will not exceed an amount equal to the non-recurring charge(s) and one month's charges for the Service or facility. In addition, where special construction is involved, the advance payment may also include an amount equal to the estimated non-recurring charges for the special construction and recurring charges (if any) for a period to be set between the Company and the Customer. The advance payment will be credited to the Customer's initial bill. An advance payment may be required in addition to a deposit.

ACCESS SERVICE -- CARRIER TO CARRIER

2. GENERAL REGULATIONS (Cont'd)

2.4 Payment Arrangements (Cont'd)

2.4.4 Jurisdictional Reporting Requirements

2.4.4.1 The Company cannot in all cases determine the jurisdictional nature of customer traffic and its related access minutes. In such cases the Customer may be called upon to provide a projected estimate of its traffic, split between interstate and intrastate jurisdictions. Updates to jurisdictional levels may be made by the Customer not more frequently than quarterly. When mixed interstate and intrastate access is provided, all charges, including non-recurring charges, usage charges, and optional features and functions will be prorated between the jurisdictions.

2.4.4.2 When a Customer orders Feature Group D Switched Access, the Customer may provide the projected jurisdictional usage for the end office in its order. Alternatively, the Company, where the jurisdiction can be determined from the call detail, will determine the projected jurisdictional usage percentage as follows:

- (a) For originating access minutes, the projected jurisdictional usage percentage will be developed on a monthly basis where Feature Group D Switched Access Service minutes are measured by dividing the measured interstate (generally calls between states) minutes by the total originating access minutes.

ACCESS SERVICE -- CARRIER TO CARRIER

2. GENERAL REGULATIONS (Cont'd)

2.4 Payment Arrangements (Cont'd)

2.4.4 Jurisdictional Reporting Requirements (Cont'd)

- (b) For terminating access minutes, the data used by the Company to develop the projected interstate percentage for originating access minutes will be used to develop the projected interstate percentage for such terminating access minutes.

2.4.4.3 When originating call details are insufficient to determine the jurisdiction for the call, the Customer shall supply the projected interstate percentage or authorize the Company to use the Company-developed percentage. The projected intrastate percentage of use will be obtained by subtracting the projected interstate percentage for originating and terminating access minutes from 100 (intrastate usage percentage = 100 - interstate percentage).

2.4.4.4 When the Customer orders Special Access Service, or there is a change in the nature of such Service, the Customer must certify to the Company, in writing, the jurisdictional nature and percentage for such service. If a dispute arises concerning the jurisdictional certification of projected usage, the Company shall request the Customer to provide the data the Customer used to determine the jurisdictional nature of the traffic. The Customer shall supply the data within thirty (30) days of the Company request. There are no charges for changes in jurisdictional usage.

ACCESS SERVICE -- CARRIER TO CARRIER

2. GENERAL REGULATIONS (Cont'd)

2.4 Payment Arrangements (Cont'd)

2.4.5 Deposits

2.4.5.1 To safeguard its interests, the Company may require a Customer to make a deposit to be held as a guarantee for the payment of charges. A deposit may be requested prior to providing Service(s) or at any time after the provision of a Service to the Customer. A deposit does not relieve the Customer of the responsibility for the prompt payment of bills as provided for in this tariff. The deposit will not exceed an amount equal to:

- (a) two month's charges for a Service or facility which has a minimum payment period of one month; or
- (b) the charges that would apply for the minimum payment period for a Service or facility which has a minimum payment period of more than one month; except that the deposit may include an additional amount in the event that a termination charge is applicable.

2.4.5.2 A deposit may be required in addition to an advance payment.

2.4.5.3 When a Service or facility is discontinued, the amount of a deposit, if any, will be applied to the Customer's account and any credit balance remaining will be refunded. Before the Service or facility is discontinued, the Company may, at its option, return the deposit or credit it to the Customer's account.

ACCESS SERVICE -- CARRIER TO CARRIER

2. GENERAL REGULATIONS (Cont'd)

2.4 Payment Arrangements (Cont'd)

2.4.5 Deposits (Cont'd)

2.4.5.4 Interest on interstate deposits will be due the Customer at the same percentage rate as set forth in 2.4.2.7(a) or 2.4.2.7(b) preceding, whichever is lower.

2.4.5.5 Such a deposit will be refunded or credited to the Customer's account after a one year, prompt-payment record is established.

2.4.6 Discontinuance of Service

2.4.6.1 Upon nonpayment of any amounts owing to the Company, the Company may by giving ten days' prior written notice to the Customer, discontinue or suspend Service without incurring any liability.

2.4.6.2 Upon violation of any of the other material terms or conditions for furnishing Service, the Company may, by giving 30 days' prior notice in writing to the Customer, discontinue or suspend Service without incurring any liability if such violation continues during the period.

2.4.6.3 Upon condemnation of any material portion of the facilities used by the Company to provide Service to a Customer or if a casualty renders all or any material portion of such facilities inoperable beyond feasible repair, the Company, by notice to the Customer, may discontinue or suspend Service without incurring any liability.

ACCESS SERVICE -- CARRIER TO CARRIER

2. GENERAL REGULATIONS (Cont'd)

2.4 Payment Arrangements (Cont'd)

2.4.6 Discontinuance of Service (Cont'd)

2.4.6.4 Upon any governmental prohibition or required alteration of the Service(s) to be provided or any violation of any applicable law or regulation, the Company may immediately discontinue Service without incurring any liability.

2.4.6.5 Upon the Company's discontinuance of Service to the Customer under Section 2.4.6.1 or 2.4.6.2, the Company, in addition to all other remedies that may be available to the Company at law or in equity or under any other provision of this tariff, may declare all future monthly and other charges which would have been payable by the Customer during the remainder of the term for which such Service(s) would have otherwise been provided to the Customer to be immediately due and payable (discounted to present value at six percent).

2.4.7 Cancellation of Application for Service

Provisions for the cancellation of an Application for Service are provided here and are set forth in other applicable sections of this tariff.

2.4.7.1 Applications for Service are noncancellable unless the Company otherwise agrees. Where the Company permits Customer to cancel an application for Service prior to the start of Service or prior to any special construction, no charges will be imposed except for those specified below.

ACCESS SERVICE -- CARRIER TO CARRIER

2. GENERAL REGULATIONS (Cont'd)

2.4 Payment Arrangements (Cont'd)

2.4.7 Cancellation of Application for Service (Cont'd)

2.4.7.2 Where, prior to cancellation by the Customer, the Company incurs any expenses in installing the Service or in preparing to install the Service that it otherwise would not have incurred, a charge equal to the costs the Company incurred, less net salvage, shall apply, but in no case shall this charge exceed the sum of the charge for the minimum period of services ordered, including installation charges, and all charges others levy against the Company that would have been chargeable to the Customer had service begun (discounted to present value at 6 percent).

2.4.7.3 Where the Company incurs any expense in connection with special construction, or where special arrangements of facilities or equipment have begun, before the Company receives a cancellation notice, a charge equal to the costs the Company incurred, less net salvage, shall apply. In such cases, the charge will be based on such elements as the cost of the equipment, facilities, and material, the cost of installation, engineering labor, and supervision, general and administrative expense, other disbursements, depreciation, maintenance, taxes, provision for return on investment, and any other costs associated with special construction or arrangements incurred by the Company.

2.4.7.4 The special charges described in 2.4.7.1 through 2.4.7.3 will be calculated and applied on a case-by-case basis.

ACCESS SERVICE -- CARRIER TO CARRIER

2. GENERAL REGULATIONS (Cont'd)2.4 Payment Arrangements (Cont'd)

2.4.8 Changes in Service Requested

2.4.8.1 If the Customer makes or requests material changes in circuit engineering, equipment specification-service parameters, premises locations, or requests expedited provisioning, or otherwise materially modifies any provision of the application for service, the Customer's installation fee and/or recurring charges shall be adjusted accordingly.

2.4.9 Allowances for Interruptions in Service

A Service is interrupted when it becomes unusable to the Customer because of a failure of a facility component used to furnish Service under this tariff or in the event that the protective controls applied by the Company result in a complete loss of Service by the Customer. An interruption begins when an inoperable Service is reported to the Company and ends when the Service is operable. If the Customer reports a Service, facility or circuit inoperable, but declines to release it for testing and repair, it is considered to be adversely affected, but not interrupted. In case of an interruption to any Service, allowance for the period of interruption, if not due to the negligence of the Customer, shall be provided.

2.4.9.1 For Switched Access Service, no credit shall be allowed for an interruption of less than 24 hours. The Customer shall be credited for an interruption of 24 hours or more at the rate of 1/30 of any applicable monthly rate or assumed minutes of use charge for each period of 24 hours or major fraction thereof that the interruption continues.

ACCESS SERVICE -- CARRIER TO CARRIER

2. GENERAL REGULATIONS (Cont'd)

2.4 Payment Arrangements (Cont'd)

2.4.9 Allowances for Interruptions in Service (Cont'd)

The credit allowance(s) for an interruption or for a series of interruptions shall not exceed any monthly rate for the Service interrupted in any one monthly billing period.

2.4.9.2 For Special Access Services, no credit shall be allowed for an interruption of less than 30 minutes. The Customer shall be credited for an interruption of 30 minutes or more at the rate of 1/1440 of the monthly charges for the facility or major fraction thereof that the interruption continues. The monthly charges used to determine the credit shall include the Service, Service elements and any optional features and functions associated with the Service.

2.4.9.3 For High Capacity Special Services, any period during which the error performance is below that specified for the Service will be considered as an interruption. Service interruptions for specialized or individual case basis (ICB) services shall be administered in the same manner as those set forth in this Section 2.4.9 unless other regulations are specified with an ICB offering.

2.4.9.4 A credit allowance does not apply in the following cases:

- (a) Interruptions caused by the negligence of, or noncompliance with the provisions of this tariff by the Customer, or other common carrier providing service connected to the Service of the Company.

Issued: July 28, 1998

Effective: July 29, 1998

Joseph D. Jensen, President
5566 Southwyck Blvd.
Toledo, Ohio 43614

ACCESS SERVICE -- CARRIER TO CARRIER

2. GENERAL REGULATIONS (Cont'd)

2.4 Payment Arrangements (Cont'd)

2.4.9 Allowances for Interruptions in Service (Cont'd)

- (b) Interruptions of a Service due to the failure of equipment or systems provided by the Customer or others.
- (c) Interruptions of a Service during any period in which the Company is not afforded access to the premises.
- (d) Interruptions of Service during any period when the Customer has released Service to the Company for maintenance purposes or for implementation of a Customer order for a change in Service arrangements.
- (e) Interruptions of Service due to circumstances or causes beyond the control of the Company or where the Customer continues to use the Service on an impaired basis.
- (f) In the case of an interruption to any Service, allowance for the period of interruption if the interruption is not due to the negligence of the Customer.

ACCESS SERVICE -- CARRIER TO CARRIER

2. GENERAL REGULATIONS (Cont'd)2.4 Payment Arrangements (Cont'd)

2.4.9 Allowances for Interruptions in Service (Cont'd)

2.4.9.5 Credit Allowances shall be calculated as follows:

Interruptions of 24 Hours or Less	
Length of Interruption	Interruption Period for Credit
Less than 30 minutes	None
30 minutes up to but not including 3 hours	1/10 Day
3 hours up to but not including 6 hours	1/5 Day
6 hours up to but not including 9 hours	2/5 Day
9 hours up to but not including 12 hours	3/5 Day
12 hours up to but not including 15 hours	4/5 Day
15 hours up to but not including 24 hours	One Day
Two or more interruptions of 15 minutes or more during any one 24-hour period shall be considered as one interruption.	

Interruptions Over 24 Hours and Less than 72 Hours.

Interruptions over 24 hours and less than 72 hours will be credited 1/5 day for each 3-hour period or fraction thereof. No more than one full day's credit will be allowed for any period of 24 hours.

ACCESS SERVICE -- CARRIER TO CARRIER

2. GENERAL REGULATIONS (Cont'd)

2.4 Payment Arrangements (Cont'd)

2.4.9 Allowances for Interruptions in Service (Cont'd)

Interruptions Over 72 Hours.

Interruptions over 72 hours will be credited 2 days for each 24- hour period. No more than 30 days credit will be allowed for any one-month period.

Use of an Alternative Service Provided by the Company.

Should the Customer elect to use an alternative service provided by the Company during the period that a Service is interrupted, the Customer must pay the tariffed rates and charges for the alternative service used.

ACCESS SERVICE -- CARRIER TO CARRIER

2. GENERAL REGULATIONS (Cont'd)2.4 Payment Arrangements (Cont'd)

2.4.9 Allowances for Interruption in Service (Cont'd)

Re-establishment of Service Following Fire, Flood, etc. Charges do not apply for the re-establishment of Service following a fire, flood or other occurrence attributed to an Act of God provided that the service: (1) is the same type as was in service prior to the occurrence; (2) is for the same Customer at the same location on the same premises; and is (3) reestablished within 60 days of the occurrence. The 60 days may be extended a reasonable period if the renovation of the original location on the premises is not practical. Nonrecurring charges would apply for establishing Service at a new location on the same premises or for temporary Service at a different premises pending re-establishment of Service at the original location. The Customer shall, in cooperation with the Company, participate in planning the actions to be taken to enable or maintain maximum network capability following natural or man-made disasters affecting Service(s).

2.5 Access Billing

2.5.1 Title or Ownership Rights

The payment of rates and charges by Customers for the Services offered under the provisions of this tariff does not assign, confer, or transfer title or ownership rights to proposals or facilities developed or utilized respectively by the Company in provision of such Services.

ACCESS SERVICE -- CARRIER TO CARRIER

2. GENERAL REGULATIONS (Cont'd)

2.5 Access Billing (Cont'd)

2.5.2 Billing Standards

2.5.2.1 The Company shall produce verifiable and auditable access bills in general conformance with accepted industry standards for companies that do not provide bills under a mechanized Carrier Access Billing System/Billing Output Specification (CABS/BOS) equivalent System. Access Bills will be consistent with the Small Exchange Carrier Access Billing (SECAB) Guidelines developed by the Ordering Billing Forum (OBF) of the Alliance for Telecommunications Industry Solutions (ATIS). (x)

2.5.2.2 An access bill is comprised of one or more billing elements, including usage sensitive charges, distance sensitive charges, flat-rated charges, individual-case-based (ICB) charges, and non-recurring or special miscellaneous charges that may be appropriate.

2.5.3 Meet Point Billing

When an access service is provided by more than one telecommunications company, each company jointly providing the Service will receive an order or a copy of the Access Service Request from the Customer. Each telecommunications company must ensure that appropriate usage information is provided to the other telecommunications company for access minutes purposes.

(x) Issued under the authority of Special Permission No. 98-160 of the Federal Communications Commission

Issued: July 28, 1998

Effective: July 29, 1998

Joseph D. Jensen, President
5566 Southwyck Blvd.
Toledo, Ohio 43614

ACCESS SERVICE -- CARRIER TO CARRIER

2. GENERAL REGULATIONS (Cont'd)

2.5 Access Billing (Cont'd)

2.5.3 Meet Point Billing (Cont'd)

2.5.3.1 The Company will provide Service under a multiple bill option. Under a multiple bill option, each Company providing Service will render an access bill to the Customer for its portion of the Service based on its access tariff rates and regulations.

2.5.3.2 For Switched Access Multiple Bills, the end office company is generally the Initial Billing Company (IBC). The IBC is the company that calculates the access minutes to be billed to the Customer and provides these data to each connecting company providing the Service, i.e., the Subsequent Billing Company(s). Each billing company will:

- prepare its own bill;
- determine its charge(s) for access elements;
- determine and include all recurring and non-recurring rates and charges of its access tariffs;
- reflect its Billing Account Reference (BAR) and all connecting company Billing Account Cross Reference (BACR) code(s);

The Customer will remit payment directly to each bill rendering company.

ACCESS SERVICE -- CARRIER TO CARRIER

2. GENERAL REGULATIONS (Cont'd)

2.5 Access Billing (Cont'd)

2.5.4 Duration of Use Charges

- 2.5.4.1 Customer traffic to end offices will be measured by the Company at end office switches. Originating and terminating calls will be measured by the Company to determine the basis for computing chargeable access minutes.
- 2.5.4.2 For originating calls over Feature Group D, usage measurement begins when the originating switch receives the first wink supervisory signal forwarded from the Customer's point of termination.
- 2.5.4.3 The measurement of originating usage ends when the originating Feature Group D switch receives disconnect supervision from either the originating end user's end office or the Customer's point of termination, whichever is recognized first by the switch.
- 2.5.4.4 For terminating calls over Feature Group D, the measurement of access minutes begins when the terminating Feature Group D switch receives answer supervision from the terminating user's end office.
- 2.5.4.5 The measurement of terminating call usage over Feature Group D ends when the terminating Feature Group D switch receives disconnect supervision from either the terminating end user's end office, or the Customer's point of termination, whichever is recognized first by the switch.

ACCESS SERVICE -- CARRIER TO CARRIER

2. GENERAL REGULATIONS (Cont'd)

2.5 Access Billing (Cont'd)

2.5.5 Distance Charges

2.5.5.1 Where charges for an access service are based on distance, the distance between two points is measured as airline distance between rate centers as listed in the National Exchange Carrier Association FCC No. 4, Wire Center Tariff or Local Exchange Routing Guide (LERG) issued by Bellcore which contains Numbering Plan Area (NPA) and Exchange Number Assignment (NXX) (area code and first three digits of a seven-digit telephone number).

(x)
(x)

2.5.5.2 The airline distance between any two rate centers is determined as follows:

- (a) Obtain the "V" (vertical) and "H" (horizontal) coordinates for each rate center from the above referenced document(s),
- (b) Compute the difference between the "V" coordinates of the two rate centers; and the difference between the two "H" coordinates,
- (c) Square the difference obtained in (b) above,
- (d) Add the square of the "V" difference and the square of the "H" difference obtained in (c) above,

(x) Issued under the authority of Special Permission No. 98-160 of the Federal Communications Commission

Issued: July 28, 1998

Effective: July 29, 1998

Joseph D. Jensen, President
5566 Southwyck Blvd.
Toledo, Ohio 43614

ACCESS SERVICE -- CARRIER TO CARRIER

2. GENERAL REGULATIONS (Cont'd)

2.5 Access Billing (Cont'd)

2.5.5 Distance Charges (Cont'd)

- (e) Divide the sum of the squares by 10. Round to the next higher whole number if any fraction is obtained,
- (f) Obtain the square root of the whole number result obtained in (e) above. Round to the next higher whole number if any fraction is obtained. This is the airline mileage applicable.

2.5.6 Suspension, Termination or Refusal of Service

2.5.6.1 Service may be suspended or terminated for nonpayment (subject to exceptions provided in Section 2.5.7) of any bill or deposit until such bill or deposit is paid. If Service is suspended or terminated for nonpayment, the Customer must remit a connection charge as well as any payment due and any deposit requested by the Company prior to reconnection or reestablishment of Service.

2.5.6.2 Suspension or termination of Service will not be made until after: (1) at least 10 days written notification has been served personally on the Customer; (2) at least 10 days after verification of receipt of certified mail has been made by the Company; or (3) at least 10 days after the Customer has refused a certified or registered written notification mailed to the Customer billing address. Service shall not be suspended or terminated on weekends, legal holidays or on days when the business office of the Company is not open for business.

Issued: July 28, 1998

Effective: July 29, 1998

Joseph D. Jensen, President
5566 Southwyck Blvd.
Toledo, Ohio 43614

ACCESS SERVICE -- CARRIER TO CARRIER

2. GENERAL REGULATIONS (Cont'd)

2.5 Access Billing (Cont'd)

2.5.6 Suspension, Termination or Refusal of Service (Cont'd)

2.5.6.3 When a Customer refuses to pay bills rendered or deposits requested (subject to exceptions shown in Section 2.5.7) the Company may refuse to process existing orders for Service(s) or to accept new orders for Service.

2.5.6.4 The Company, after providing notice in writing to the Customer, may suspend, terminate or refuse Service(s) in the event of unauthorized use of Service(s) or facilities received from the Company, where the Customer is indebted to the Company for previously furnished Service(s) or facilities or where the use of Service(s) or facilities have been abandoned. Customers will have an appropriate opportunity to respond to such notice.

2.5.7 Exceptions to Suspension, Termination or Refusal of Service

2.5.7.1 Service(s) shall not be suspended, terminated, or refused in the following instances:

- (a) For nonpayment of billed amounts that are in dispute while an investigation of the dispute is being made by the Company (undisputed amounts and subsequent bills must be paid on a timely basis; the Company shall be the sole determiner of a frivolous dispute);

ACCESS SERVICE -- CARRIER TO CARRIER

2. GENERAL REGULATIONS (Cont'd)

2.5 Access Billing (Cont'd)

2.5.7 Suspension, Termination or Refusal of Service (Cont'd)

- (b) For nonpayment of Service which has been billed but not rendered; or
- (c) For nonpayment of billed amounts for charges other than those for the Service.

Issued: July 28, 1998

Effective: July 29, 1998

Joseph D. Jensen, President
5566 Southwyck Blvd.
Toledo, Ohio 43614

ACCESS SERVICE -- CARRIER TO CARRIER

3. ACCESS ORDERING3.1 General

This section sets forth the regulations and order related charges for Service(s) shown in other sections of this tariff. Order charges are in addition to other applicable charges for Service(s) provided. An Access Service Request (ASR) is an order to provide the Customer with Switched and Special Access or Access Related Service, Frame Relay Access Service or to provide changes to existing access services.

A Customer may order any number of services of the same type and between the same premises on a single ASR. All details for services for a particular order must be identical except for those for multi-point Service.

The Customer shall provide to the Company the following information in addition to other requirements of this section:

- Customer name and premises address,
- Billing name and address, if different from Customer name and address,
- Customer contact name(s) and telephone number(s) for order confirmation, order provisioning information, order negotiation, interactive engineering design, installation and billing.

3.1.1 Service Installation

The Company will provide Access Service in accordance with the Customer's requested Service date, subject to the constraints established by the Company schedule of Service dates.

The Company schedule shall specify the applicable service interval for Service(s) and the quantities of Service(s) that can reasonably be provided by a service date. Said schedule will be available to Customers upon request and will be provided in a reasonable period of time.

ACCESS SERVICE -- CARRIER TO CARRIER

3. ACCESS ORDERING (Cont'd)3.1 General (Cont'd)

3.1.1 Service Installation (Cont'd)

Installation of Service(s) will be during Company business days and hours. Customer requests for installations outside of scheduled work hours, if agreed to by the Company, will be subject to applicable additional labor charges.

The Company will not accept orders for Service that are for a date more than six months from the current date. The Company will, however, accept information for planning purposes in advance of order placement.

3.1.2 Expedited Orders

When a Customer places an Access Service Request (ASR) and requests a Service date that is prior to the Company's applicable interval service date of the Company, or when a Customer requests an earlier Service date on an existing ASR, the Company, in addition to other applicable charges for modification or Service date change, will determine if it can meet the requested date and what additional labor and/or extraordinary costs are required. The Customer will be notified of the additional estimated costs for authorization.

Upon authorization of additional costs by the Customer, the Company will keep a record to accumulate such costs and assure that costs will not exceed 10 percent of the estimated charges to the Customer.

3.1.3 Selection of Facilities

Except for High Capacity Special Services facilities, the option to request a specific path or channel is not provided to the Customer, but within the purview of the Company.

ACCESS SERVICE -- CARRIER TO CARRIER

3. ACCESS ORDERING (Cont'd)

3.1 General (Cont'd)

Where there are High Capacity Special Services facilities to a hub on order or in Service for the Customer's use, or where special facilities routing is provided, the Customer may request a specific channel or transmission path be used to provide Service in which case the Company will make a reasonable effort to accommodate the Customer request.

3.2 Ordering Requirements

3.2.1 Switched Access Service Feature Group D

When ordering Feature Group D Switched Access Service, the following information shall be provided by the Customer:

- The number of Busy Hour Minutes of Capacity (BHMC) from the customer designated premises to the end office or the number of trunks desired between the Customer designated premises and the entry switch;
- Optional Features desired; and
- Projected percentage of jurisdictional use.

3.2.2 Special Access Service

When ordering Special Access Service, the Customer shall provide the following specific information:

- The Customer Designated Premises (CDP) or hubs required;
- The type of service (e.g., voice grade, high capacity, etc.);

ACCESS SERVICE -- CARRIER TO CARRIER

3. ACCESS ORDERING (Cont'd)3.2 Ordering Requirements (Cont'd)

3.2.2 Special Access Service (Cont'd)

- The channel interface(s);
- The technical specification package;
- Options desired;
- Jurisdictional nature of traffic; and
- For multi-point services, the channel interface at each CDP.

3.2.3 WATS or WATS-Type Services

Special Access may be ordered for connection with Feature Group D Switched Access Service for the provision of WATS or WATS-Type Service. When WATS or WATS-type Services or optional features, such as screening, are not provided at the Customer's serving wire center, Channel Mileage must be ordered to the nearest WATS serving office where the functions can be provided. The Customer shall specify:

- The CDP at which the service terminates;
- The type of line (e.g. two-wire/four-wire);
- The type of calling (e.g. originating, terminating, two-way); and
- The type of signaling.

ACCESS SERVICE -- CARRIER TO CARRIER

3. ACCESS ORDERING (Cont'd)

3.2 Ordering Requirements (Cont'd)

3.2.4 Miscellaneous Services

Miscellaneous Services may include, but are not limited to testing, special facilities routing, and additional labor. These items may be ordered initially or may subsequently be added to a pending order at any time up to and including the service date for the Access Service. When a Service date change results from ordering these Miscellaneous Services, the appropriate Service Date Change and/or Design Change charge will apply.

When the Company determines that Additional Engineering is necessary to accommodate a Customer request, the Customer will be notified by the Company of the reason for, and amount of Additional Engineering. A firm order will only be established where the Customer agrees to the Additional Engineering. The Company will assure that Additional Engineering charges do not exceed the estimate by more than 10 percent.

In any instance where an Access Order affects more than one communications company, the Customer must also provide a copy of the order to the company(s) involved.

ACCESS SERVICE -- CARRIER TO CARRIER

3. ACCESS ORDERING (Cont'd)3.2 Ordering Requirements (Cont'd)

3.2.5 Frame Relay Access Service

When ordering Frame Relay Access Service, a minimum of two port connections are required for data to be transported between Customer designated premises.

When placing an order for Frame Relay Access Service, the Customer must specify the:

- customer designated premises;
- type of channel;
- channel interface(s);
- technical specification package and options desired, if any;
- type of FRAC or FRIC connection desired;
- port speed, or if port only desired (EUP, ICP);
- number and type of Permanent Virtual Connections desired;
- location of the ports for each PVC;
- Committed Information Rates (CIRs) that will be associated with each PVC; and
- jurisdiction of the traffic.

The port connecting the Special Access facility to the Company frame relay switch must be ordered and provided at the same speed as the facility.

When an extended PVC (EPVC) is ordered, the Customer is responsible for placing the order with all companies involved in provisioning the service.

ACCESS SERVICE -- CARRIER TO CARRIER

3. ACCESS ORDERING (Cont'd)3.2 Ordering Requirements (Cont'd)

3.2.5 Frame Relay Access Service (Cont'd)

The Customer must specify on the order its desire for the appropriate term discount plan. Where the facility capacity remains constant and the Customer wishes to maintain the existing term discount period and minimum service period, the Customer's order to install and disconnect Frame Relay Access Service connections provided under a term discount plan must be received at the same time and must reference continuation of the existing term discount plan.

3.3 Access Ordering Charges

3.3.1 Access Order Charge

An Access Order Charge is applied to all Customer requests for new, additions, or changes and rearrangements to existing Special and Switched Access Service, Frame Relay Access Service, except as follows:

- When a Service Date Change Charge is applicable;
- When a Design Change Charge is applicable;

ACCESS SERVICE -- CARRIER TO CARRIER

3. ACCESS ORDERING (Cont'd)

3.3 Access Ordering Charges (Cont'd)

3.3.1 Access Order Charge (Cont'd)

- When a change to a pending order does not result in the cancellation of the pending order and the issuance is a new order;
- When a Miscellaneous Service Order Charge is applicable;
- When a Presubscription Charge is applicable; or
- When a Company initiated network reconfiguration requires a Customer's existing access service to be reconfigured.

An Access Order Charge will be applied on a per order basis to each order, or copy of an order received by the Company.

3.3.2 Access Order Change Charge

Access Order Change Charges involve service date changes and/or design changes. A change would be a Customer request any time prior to the Service date for the requested Service(s). Any increase in the number of Switched Access lines, trunks or BHMC or any increase in the number of Special Access Service channels will be treated as a new order (for the increased amounts) rather than a change order. When order changes are necessary to satisfy transmission performance requirements for Special Access Service, these changes will be made by the Company without order change charges to the Customer.

ACCESS SERVICE -- CARRIER TO CARRIER

3. ACCESS ORDERING (Cont'd)3.3 Access Ordering Charges (Cont'd)

3.3.3 Service Date Change Charge

A change of Service date is a change of the scheduled Service date by the Customer to either an earlier date or a later date which does not exceed 30 calendar days from the original Service date. The Customer may request a change of Service date on a pending Access Service Request prior to the Service date and if the Company can accommodate the change, a new Service date will be set and a service date change charge will apply.

3.3.4 Design Change Charge

A design change is any change to an Access Service Request that requires engineering review prior to the requested service date. Design changes do not include a change of CDP, first point of switching or Special Access channel type. Changes of this nature require the issuance of a new order and the cancellation of the original order. Design changes would include such items as the addition or deletion of optional features or functions, change in type of transport termination, type of channel interface group or technical specification changes.

The Company will review the requested Customer change and notify the Customer whether the change is a design change, if it can be accommodated, and if a new Service date is required. On Customer approval, a Design Change Charge would apply in addition to any other charges (e.g. service date change).

Issued: July 28, 1998

Effective: July 29, 1998

Joseph D. Jensen, President
5566 Southwyck Blvd.
Toledo, Ohio 43614

ACCESS SERVICE -- CARRIER TO CARRIER

3. ACCESS ORDERING (Cont'd)3.3 Access Ordering Charges (Cont'd)

3.3.5 Miscellaneous Service Order Charge

A Miscellaneous Service Order Charge is for compensation of administrative expenses associated with issuing the order associated with the provision of Miscellaneous Services such as overtime repair, standby repair, testing, and other labor. The charge does not apply to Service(s) where a pending Service order exists, such as additional engineering, overtime installation, standby acceptance testing, testing with other companies with acceptance testing and additional cooperative acceptance testing.

3.3.6 Cancellation of Access Order Charge

A Customer may cancel an Access Order for the installation of Service on any date prior to the Service date. The cancellation date is the date on which the Company receives written notice from the Customer. When a Customer cancels an Access Service Request, a Cancellation Charge will apply as follows:

- Installation of Switched Access Service, Special Access Service, or Frame Relay Access Service facilities is considered to have started when the Company incurs any cost in connection with provisioning the Service that otherwise would not have been incurred.
- When installation of access facilities has been started prior to the cancellation, a charge equal to the lower of either the cost incurred in such installation, less net salvage, or the charges for a minimum period for the service will apply.
- Any partial cancellation (e.g. cancellation in the number of trunks, channels ordered) will be treated as a cancellation and subject to applicable charges as stated in this Section.
- Where the Customer cancels an Access Service Request prior to the start of installation of access facilities and no costs have occurred, no charges shall apply.

ACCESS SERVICE -- CARRIER TO CARRIER

4. SWITCHED ACCESS - CARRIER COMMON LINE ACCESS SERVICE (N)
The company will provide Carrier Common Line (CCL) Access Service to customers in conjunction with Switched Access Service described more fully in Sections 4, 5 and 6 of this tariff. CCL is associated with the local loop, drop and associated equipment from the end-office switching center to the End User Customer provided for customers to access Interstate Communications. (N)
- 4.1 General (C)
Carrier Common Line Access Service is provided by the company for the customer access to end users at rates and charges specified in Section 11 following. Rate categories for the service are shown below. Jurisdictional rates apply for originating, terminating and terminating-only usage. Common Channel Signaling Access Signal Transfer Point (STP) Port Termination charge or Closed-end WATS minutes are not subject to the CCL usage charge. (C)
- 4.1.1 Rate Categories
Rate Categories for Carrier Common Line Access Service are as follows:
Carrier Common Line Originating per Access Minute
Carrier Common Line Terminating per Access Minute
Special Access Surcharge (N)

ACCESS SERVICE -- CARRIER TO CARRIER

5. SWITCHED ACCESS - END USER ACCESS CHARGES

5.1 Rate Categories

End User Access Charges will be billed monthly at the rates shown in Section 11.4 following. Categories as discussed below include:

End User Common Line per line, trunk, or service

End User Complex Line Port

Federal Universal Service Program Support Surcharge

Service Provider Number Portability (SPNP)

5.1.1 End User Common Line Charge (EUCL)

The Company will provide End User Access Service to end users who obtain local exchange service from the Company under its local exchange tariff. This service is known as an End User Common Line (EUCL).

5.1.1.A Application of EUCL Charges

An EUCL charge applies to each residence service, single-line business service, Payphone service and multi-line business service, including: business lines; analog trunks; business custom calling analog station lines.

End user charges may be assessed on Payphone service providers, multi-line businesses and single line business and residence customers when appropriate to meet funding requirements called for in Federal Universal Service Fund (FUSF) programs ordered in the FCC Rules and Regulations. These programs include Lifeline Assistance, Link-up Assistance, Schools and Libraries funding, Rural Health Care, and Telecommunications Relay Services (TRS). (T)

When end users are provided certain local business exchange services by the company under local tariffs, where the cost of the line port exceeds that of a basic analog line port, an End User Complex Line Port (EUCLP) charge is assessed in addition to the EUCL. The EUCLP charge is applied to the following: ISDNBRI Station; business Custom Calling Digital Station; ISDNPRI; DS-1 Digital Trunk Transport Service.

ACCESS SERVICE -- CARRIER TO CARRIER

5. SWITCHED ACCESS - END USER ACCESS CHARGES

5.1 Rate Categories (Cont'd)

5.1.2 Federal Universal Service Fee

A- General Description

The Federal Universal Service Fund provides assistance to schools, libraries, and rural health care facilities. This charge billed to end users is used to fund the Universal Service Program.

B- Application of FUSF

The Federal Universal Service Fund (FUSF) Surcharge Factor (C)
applies to all End User Switched Access Services, such as EUCL, (C)
LNP, and any other switched access services purchased by an end (C)
user, billed per month. (C)

ACCESS SERVICE -- CARRIER TO CARRIER

5. SWITCHED ACCESS - END USER ACCESS CHARGES

5.1 Rate Categories (Cont'd)

(D)

(D)

ACCESS SERVICE -- CARRIER TO CARRIER

5. SWITCHED ACCESS - END USER ACCESS CHARGES

(D)

|
(D)

ACCESS SERVICE -- CARRIER TO CARRIER

6. SWITCHED ACCESS SERVICE – Feature Group D Switched Service

6.1 General

Switched Access Service provides for the use of common switching, terminating, and trunking facilities between a Customer Designated Premises and an end-users premises for originating and terminating traffic. The Company provides Feature Group D Switched Access (Equal Access) service, which is furnished in quantities of trunks or busy hour minutes of capacity (BHMC). Feature Group D Switched Access Service consists of transport and the appropriate end office switching and functions to enable an interexchange carrier Customer to provide message toll service (MTS), wide area telephone service (WATS), directory information and 1+, or when required an access code of 101X XXX services.

6.1.1 Rate Categories

Rate categories and descriptions include the following:

6.1.1.1 Entrance Facility charge — a flat-rate charge which provides the communications path between a customer designated premises and the serving wire center.

Transport — charges for trunks related to the transmission and tandem switching facilities, if appropriate, between the customer designated premises and the end office switch where the Customer’s originating or terminating traffic is switched. Trunks may be direct or tandem switched, or combinations of the two, based on Customer order and facilities availability, between the serving office and a facility hub or tandem switching office. Transport rate categories consist of three elements: a Transport Termination per termination (direct) or per access minute (tandem) charge, a Transport Facility rate per mile (direct) or per mile per access minute (tandem) charge, and a Direct Trunk Port charge per DS-1 (direct). A Customer may also request optional features and functions which have appropriate charges.

C
N
N

ACCESS SERVICE -- CARRIER TO CARRIER

6. SWITCHED ACCESS SERVICE – Feature Group D Switched Service (Cont'd)

6.1 General (Cont'd)

6.1.1 Rate Categories (Cont'd)

Multiplexing charges will apply when a High Capacity Entrance Facility is connected to a lower grade service (e.g. DS-3 to DS-1 multiplexing and/or DS-1 to Voice Grade multiplexing). These charges may apply at an end office, Hub location or serving wire center. The Company shall notify the Customer in such instances.

The Company will work cooperatively with the Customer to arrange routing and serving arrangements.

6.1.1.2 End Office/Local Switching - Charges related to the Company local end office switching entity which routes traffic to and from end users to interexchange carrier Customers. The end office rate category includes a switching and a common trunk port per access minute of use rate shown in Section 11.4, following.

(C) (N)

6.1.1.3 Optional Features and Functions - are those features and functions that are available in lieu of or in addition to the standard features provided with Feature Group D Service. They include, but are not limited to:

ACCESS SERVICE -- CARRIER TO CARRIER

6. SWITCHED ACCESS SERVICE – Feature Group D Switched Service (Cont'd)6.1 General (Cont'd)

- Automatic Number Identification - this option provides the automatic transmission of a ten digit number and information digits to the customer designated premises to identify the calling station on a call-by-call basis. Where complete ANI detail cannot be provided, information digits will be provided to the Customer.
- Flexible Automatic Numbering Identification (Flex ANI) is a Common Switching optional feature which enhances the Automatic Number Identification (ANI) feature. It allows Feature Group D, Equal Access Customers, to receive additional information digits above the values available with ANI. The information digits are two digit codes that precede the 10 digit directory number of the calling line. These digits are outpulsed along with the directory number from the originating end office. They are sent to the receiving office for billing, routing, or special handling purposes. These information digits can be used to identify additional call types, e.g. for hotel/motel or prison/inmate calling, and to provide Originating Line Screening (OLS) service.
- Service Class Routing - this option provides the capability of directing originating traffic from an end office to a trunk group to a customer designated premises, based on the line class of service (e.g. coin or hotel/ motel), service prefix indicator (e.g. 0-, 0+, 01+, or 011+).

ACCESS SERVICE -- CARRIER TO CARRIER

6. SWITCHED ACCESS SERVICE – Feature Group D Switched Service (Cont'd)

6.1 General (Cont'd)

- Alternate Traffic Routing - this option provides the capability of directing originating traffic from an end office to a trunk group (high usage, for example) to a customer designated premises until that group is fully loaded, and then delivering additional originating traffic (overflow traffic) from the same end office to a different trunk group (a final) to the same or second customer designated premises. The Customer shall specify trunk priority.
- Other Optional Features and Functions - both chargeable and non-chargeable, may be available from the Company such as Band Advance Arrangement for use with Special Access for the provision of WATS or WATS-like services, End Office End User Line Screening, Hunt Group Arrangement, Uniform Call Distribution Arrangement, Nonhunting Number Associated with Hunt Group Arrangement, and Operator Trunk - Full Feature, upon Customer request.

6.2 Feature Group D - Digital Switched 56 Service

6.2.1 General

Digital Switched 56 Service provides for a connection between a Customer's premises and end office switching and facilities for the transmission of digital data up to 56 Kilobits per second (the local loop portion of service is reflected in the Company's local exchange tariff).

ACCESS SERVICE -- CARRIER TO CARRIER

6. SWITCHED ACCESS SERVICE – Feature Group D Switched Service (Cont'd)

6.2 Feature Group D - Digital Switched 56 Service (Cont'd)

6.2.1 General (Cont'd)

6.2.1.1 Rate Categories

The interexchange carrier Customer's rate categories will include the following switched access elements (described in 6.1 preceding):

Carrier Common Line (if applicable)

End office/Local Switching per minute of use

Common Trunk Port Switching per minute of use

Local Transport Termination per termination

Local Transport Facility per minute per mile

6.3 Feature Group D - Common Channel Signaling Service (SS-7)

6.3.1 General

Common Channel Signaling (CCS), Signaling System 7 (SS7) protocol is a digital data network which carries signaling information and interfaces with the voice/data network. The SS7 protocol provides for signaling functions such as establishing connections, providing billing information, validating credit cards, and other services. Usage charges apply for each Initial Address Message (IAM) or Transaction Capabilities Application Port (TCAP) message (excluding TCAP messages for LIDB Access, 800 Data Base Access, and LNP Data Base Access) that is switched by the STP or switched by the STP and transported over SS7 facilities provided by the Company.

(N)
|
(N)

ACCESS SERVICE -- CARRIER TO CARRIER

6.3 Feature Group D – Common Channel Signaling Service (SS-7) (Cont'd)

6.3.1 General

Signal Formulation:

Signal Formulation permits the formulation of the following SS7 signaling call setup parameters: User Service Information, Called Party Number, Calling Party Number, Charge Number, Originating Line Information, CIC, Service Code, and Access Transport. A Signal Formulation charge is assessed for each IAM message formulated at the Company Tandem or End Office for originating FGD traffic and for each IAM message formulated for terminating FGB and FGD traffic that is tandem routed. (T)

A TCAP formulation charge is assessed for each TCAP message that is formulated at the Company Tandem or End Office (excluding LIDB Access, 800 Data Base Access, and LNP Data Base Access) that are non-call associated signaling messages. (N)
 |
 (N)

Signal Transport:

A Signal Transport charge is assessed for each IAM message that is transported to the local Signal Transfer Point (STP) from the Company Tandem or End Office for Direct routed originating FGD traffic. A Signal Transport charge is also assessed for each IAM message that is transported from the local STP to the end office for terminating FGB and FGD traffic that is direct routed to the end office. (T)

A TCAP Signal Transport charge is assessed for each TCAP message that is transported to or from the STP to the designated Service Control Point (SCP) or signaling point. (N)
 |
 (N)

(M)

(M) Certain regulations previously found on this page 85.1 can now be found on page 85.2. (T)

Issued: December 30, 2009

Effective: December 31, 2009

John Martin, President
 5555 Airport Highway, Suite 110
 Toledo, Ohio 43615

ACCESS SERVICE -- CARRIER TO CARRIER

Feature Group D – Common Channel Signaling Service (SS-7) (Cont'd)

6.3.1 General (Cont'd)

Signal Switching:

A Signal Switching charge is assessed for each IAM message that is switched by the local STP for direct routed originating FGD traffic and for each IAM message that is switched by the local STP for direct routed terminating FGB and FGD traffic.

Signal Tandem Switching:

A Signal Tandem Switching charge will be assessed for each IAM message that is transported to and switched by the local STP for tandem routed originating FGD traffic and for each IAM message that is switched and transported to an end office for tandem routed FGB and FGD traffic.

A TCAP Signal Switching charge is assessed for each TCAP message that is switched by the local STP for the origination or termination of non-call associated signaling messages (excluding LIDB Access, 800 Data Base Access, and LNP Data Base Access).

(M)

(M)

(N)

(N)

(M) Certain regulations found on this page formerly appeared on page 85.1.

ACCESS SERVICE -- CARRIER TO CARRIER

6. SWITCHED ACCESS SERVICE – Feature Group D Switched Service (Cont'd)

6.3 Feature Group D – Common Channel Signaling Service (SS-7) (Cont'd)

6.3.1 General (Cont'd)

6.3.1.1 Rate Categories

Per IAM or TCAP access charges apply to CCS/SS7 service as follows:

(T)

Signal Formulation (SF) – if applicable

Signal Transport (ST) – if applicable

Signal Switching (SS) – if applicable

Signal Tandem Switching (STS) – if applicable

6.4 Local Number Portability (LNP) Query Service

6.4.1 General

LNP Query Service is a capability that utilizes SS7 Signaling to query a database to secure network routing instructions before completion of a call. The database contains information about end users which have ported their service from the donor switch. At a minimum, the database contains the Location Routing Number (LRN) which identifies the Local Service Provider's (LSP) switch serving each ported end user's number. The LRN is used to direct the call to the correct switch for completion to the end user. Where more than one network is involved in completing the call, the network just before the terminating network (i.e., the N-1 Network) is responsible for querying an LNP database to secure the LRN.

ACCESS SERVICE -- CARRIER TO CARRIER

6.4 Local Number Portability (LNP) Query Service (Cont'd)

(N)

6.4.1 General (Cont'd)

N-1 wireline and wireless telecommunications carriers ("Carriers") will be assessed either a Default LNP query charge as set forth in 6.4.2 following where they deliver calls for termination by the Company for which a query has not been performed or an LNP Database Access Query charge, as set forth in 6.4.2 following, where the Carrier directly accesses the Telephone Company's LNP Database to perform the query.

6.4.2 LNP Query Service Application

There are two applications of the LNP network capability available through the Company's network.

6.4.2.1 Default LNP Query

Terminating calls from N-1 Carriers upon which a query has not been performed to numbers in the Company's network with NXX codes from which a number has been ported to another Company or LSP switch will require a query to the LNP database. Carriers who terminate calls into the Company's network without having performed the appropriate database query will be assessed a Default LNP Query. This query is initiated on behalf of the N-1 Carrier in the performance of its N-1 responsibility. In this scenario, the Company's end office or access tandem switch will suspend call processing and launch a query to the LNP database. When the routing information is returned to the switch, call processing is resumed and the call is routed to the correct switch for completion to the called party.

(N)

ACCESS SERVICE -- CARRIER TO CARRIER

6.4 Local Number Portability (LNP) Query Service (Cont'd)

(N)

6.4.2.2 LNP Database Access Query

LNP Database Access Query provides Carriers direct access to the Company's LNP Database to meet their N-1 responsibility to determine the Location Routing Number (LRN). The query is initiated by the N-1 Carrier in the performance of its N-1 responsibility. When the routing information is returned to the Carrier, call processing is resumed and the call is routed to the correct switch for completion to the called party.

Access to the Company's LNP Database requires that the Carrier establish SS7 connectivity directly to the Company's STPs, or connectivity indirectly through a signaling gateway that has connectivity to the Company's STPs.

6.4.3 LNP Service Provisioning

LNP Query Service will be deployed in all Company switches. LNP Query Service procedures will be applied uniformly to all users of the Company's LNP Query Service except as stated in 6.4.3.3 following. The Company's LNP database will receive and respond to all queries, including Company's queries, as defined in the following Technical References: AM-TR-NIS-00145 and AM-TR-00146.

6.4.3.1 Manner of Provisioning

LNP Query Service will be provisioned using the LRN. The LRN associated an NPA-NXX-XXXX number with each central office switch that serves the ported lines. The number will be known as the LRN for that switch. The LRN will be used as a network routing number for calls to ported numbers served by that switch. All switching equipment types will utilize LRN functionality using the SS7 signaling capability.

(N)

ACCESS SERVICE -- CARRIER TO CARRIER

6.4 Local Number Portability (LNP) Query Service (Cont'd)

(N)

6.4.3.2 Limitations

LNP Query Service is to be used only on a call-by-call basis for routing calls to number portable NXX codes and cannot be used for purposes other than those functions described herein.

Information residing in the Company's LNP database is protected from unauthorized access and may not be stored in a carrier's database or elsewhere for any reason.

6.4.3.3 Network Management

The Company will administer its network with the objective of the provision of acceptable service levels to all users of LNP query service.

The Company maintains the right to block an LNP Query traffic, in a nondiscriminatory manner, where the processing of the LNP queries threatens to disrupt operation of its network and impair network reliability. The provision of LNP Query Service is subject to the provisions of Section 2.

6.4.4 Rate Regulations

The rates and charges associated with LNP Query Service are "query" based and will be billed on a monthly basis, based on recorded usage. Query charges will be applied by the Company based upon network recordings of carrier queries to the database for LNP Database Access Query service, and based upon network recordings of Company initiated queries on behalf of the N-1 Carrier for Default LNP Query service.

Specific rates and charges as set forth in 11.4 are applicable to both interstate and intrastate calls.

(N)

ACCESS SERVICE -- CARRIER TO CARRIER

6.5 (Reserved For Future Use)

6.6 Switched Access Service Specifications – Company Requirements

The provision of Switched Access Service has certain obligations of the Company in addition to those listed in Section 2, preceding. They are as follows:

(M)

(M)

(M) Certain regulations found on this page formerly appeared on page 86.

(T)

Issued: November 26, 2008

Effective: November 30, 2008

John Martin, President
5555 Airport Highway, Suite 110
Toledo, Ohio 43615

ACCESS SERVICE -- CARRIER TO CARRIER

6. SWITCHED ACCESS SERVICE – Feature Group D Switched Service (Cont'd)

6.6 Switched Access Service Specifications – Company Requirements (Cont'd)

6.6.1 Network Management

The Company will administer its network to insure the provision of acceptable service levels to all communications users of those services. Generally service levels are acceptable when Customers are able to establish connections without delay. The Company maintains the right to apply protective controls in the provision of Switched Access Service. Generally protective controls would be taken as a result of occurrences such as failure or overload of Company or Customer facilities, natural disasters, mass calling demands, or national security demands.

6.6.2 Transmission Specifications

Each Switched Access Service transmission path is provided with industry standard transmission for its type of service. The Company will work in cooperation with the Customer to insure that those parameters are met. In the event the established specifications are not maintained, the Company may require immediate corrective action and may work independently or in cooperation with the Customer to remedy the situation.

6.6.3 Provision of Service Performance Data

Service Performance data relative to end-to-end call completion and related performance items may be made available to the Customer subject to availability and format on a previously arranged and scheduled basis. Such information will generally be provided in paper format. If other than paper format is desired, charges may apply and would be based on an individual case basis. Trunk Group Measurement reports in the form of CCS, peg count and overflow based on previously agreed to intervals may also be provided.

ACCESS SERVICE -- CARRIER TO CARRIER

6. SWITCHED ACCESS SERVICE – Feature Group D Switched Service (Cont'd)

6.6 Switched Access Service Specifications – Company Requirements (Cont'd)

6.6.4 Testing

Certain testing services offered under the tariff are subject to the availability of qualified personnel and test equipment. Acceptance Testing and Routine Testing will be provided at no additional charge and shall be mutually arranged by the Company and the Customer.

6.7 Switched Access Specifications – Customer Requirements

The provision of Switched Access Service has certain obligations of the Customer in addition to those set forth in Section 2, preceding. They are as follows:

6.7.1 Report Requirements

The Customer is responsible for providing reports to the Company, when applicable. Such reports include:

- (a) Jurisdictional Reports – are required when Customer orders Access Service with both intrastate and interstate use so that charges may be apportioned in accordance with those reports.
- (b) Code Screening Reports – are required when Customer orders service class routing, trunk access limitation or call gapping arrangements. The Customer must report the number of trunks and/or appropriate codes to be instituted in each end office for each of the arrangements ordered.

ACCESS SERVICE -- CARRIER TO CARRIER

6. SWITCHED ACCESS SERVICE – Feature Group D Switched Service (Cont'd)

6.7 Switched Access Service Specifications – Customer Requirements (Cont'd)

6.7.1 Report Requirements (Cont'd)

- (c) Trunk Group Measurement Reports – with the agreement of the Customer, trunk group data in CCS, peg count and overflow for its end of all access trunk groups, where technologically feasible will be made available to the Company. These data which will be used to monitor trunk group utilization and service performance, will be based on previously arranged intervals and format.
- (d) Supervisory Signaling – necessary on-hook, off-hook supervision shall be provided by the Customer's facilities in order to provide answer and disconnect supervision.

6.8 Toll Free Service Access Code Database Service Access Service

Toll Free Service Access Code Data Base Access Service is provided with FGD switched access service. When a 1+ (e.g. 800, 888, or other toll free number) + NXX + XXXX call is originated by an end user, the Company will utilize the Signalling System 7 (SS7) network to query a Toll Free Service Access Code Data Base to perform the identification function. The call will then be routed to the identified Customer over FGD switched access. The manner in which Toll Free Service Access Code Data Base Access Service is provided is dependent on the availability of SS7 service at the end office from which the service is provided as outlined below:

- When Toll Free Service Access Code Data Base Access Service originates at an end office equipped with Service Switching Point (SSP) capability for querying centralized data bases, all such service will be provisioned from that end office.

ACCESS SERVICE -- CARRIER TO CARRIER

6. SWITCHED ACCESS SERVICE – Feature Group D Switched Service (Cont'd)

6.8 Toll Free Service Access Code Database Service Access Service

- When Toll Free Service Access Code Data Base Access Service originates at an end office not equipped with SSP customer identification capability, the Toll Free Service Access Code call will be delivered to the access tandem on which the end office is homed and which is equipped with the SSP feature to query centralized data bases.

Query charges as set forth in the following are in addition to those charges applicable for the FGD switched access service.

6.9 Rate Regulations

This section contains a brief description and the general regulations governing the rates and charges that apply for Switched Access Service.

6.9.1 Description and Application of Rates

Switched Access Service rates are generally of two types; usage rates and non-recurring rates. Usage rates may be minute, and/or distance sensitive, occurrence and/or quantity sensitive or combinations of these usage elements. Non-recurring rates are one-time charges that apply for a specific work activity. Examples would include installation of service, rearrangements of service, moves and changes of service, provision of optional features and functions not ordered initially, service date changes, service design changes, cancellation of access, orders for additional engineering, and expedited orders.

ACCESS SERVICE -- CARRIER TO CARRIER

6. SWITCHED ACCESS SERVICE – Feature Group D Switched Service (Cont'd)

6.9 Switched Access Service Specifications – Company Requirements (Cont'd)

6.9.1 Description and Application of Rates (Cont'd)

6.9.1.1 Minimum Monthly Charge

Switched Access Service is provided subject to a minimum monthly charge for the total capacity provided. The charge shall be calculated based on the sum of the recurring charges of rate elements associated with services ordered, based on a 30-day month.

6.9.1.2 (Reserved for Future Use)

6.9.1.3 (Reserved for Future Use)

6.9.2 Individual Case Basis Rates

Subject to FCC regulations and approval, the Company may, where certain Access Services or arrangements are required to meet Customer requirements, utilize rates based on an Individual Case Basis.

ACCESS SERVICE -- CARRIER TO CARRIER

7. SPECIAL ACCESS SERVICE7.1 General

Special Access Service provides a transmission path to connect customer designated premises, directly through a Company hub where bridging or multiplexing functions are performed, to connect a customer designated premises and a WATS Serving Office, or to connect one customer designated premises with another customer designated premises. Special Access Service includes all exchange access not utilizing Company end office switch(es). Special Access may be two-point or multipoint in configuration with hubbing, bridging and optional features and functions specific to the service type.

7.2 Services Offered

Service is offered via the Company's facilities (or facilities purchased from others) for the transmission of one and two-way communications unless otherwise noted. Each service is offered individually or in combination with others. Categories of Special Service are as follows:

Voice	Program Audio	Synchronous Optical
Digital Data Video	High Capacity	

Other categories may be provided by the company, where technically feasible, to meet Customer requirements. Categories (sometimes referred to as Channels) shall be in conformance with industry technical standards and specifications. The Company shall provide digital service for full duplex transmission of signals at speeds from 64 Kbps (DS-O) through 44.736 Mbps (DS-3). Channels operating at other speeds may be provided at the Company's option. The Company and Customer shall meet industry standards for channel specifications relative to line rate, line code 1, line code 2, line impedance and jitter. The Customer has the option of ordering voice and high capacity facilities to Company hubs for multiplexing to individual channels of a lower capacity or bandwidth.

Issued: July 28, 1998

Effective: July 29, 1998

Joseph D. Jensen, President
5566 Southwyck Blvd.

ACCESS SERVICE -- CARRIER TO CARRIER

7. SPECIAL ACCESS SERVICE (Cont'd)7.2 Services Offered (Cont'd)

The Customer may also specify optional features for individual channels which may be derived from each type of facility to meet specific communications requirements. When a customized service is ordered, the Company shall notify the Customer whether Additional Engineering or other ICB Charges apply.

At the request of the Customer, the Company will provide to the Customer the make-up of the facilities and services provided under this tariff to aid the Customer in designing its overall service. The information will be provided in the form of a Design Layout Report (DLR) and will be provided at no charge.

7.2.1 Voice Grade Service

A Voice Grade channel is a channel which provides voice frequency transmission capability in the nominal frequency range of 300 to 3000 Hz and may be terminated two-wire or four-wire. These channels are typically used for voice and voiceband data applications. Optional features and functions include central office or hub bridging, signal levels, sealing current, multiplexing and conditioning.

7.2.2 Program Audio Service

A Program Audio Channel is a channel with bandwidth measured in Hz for the transmission of a complex signal voltage based on the channel interface selected by the Customer for one-way transmission. This type service is commonly used for a radio broadcast or educational audio and/or music. Optional features and functions include central office bridging, gain conditioning and stereo.

ACCESS SERVICE -- CARRIER TO CARRIER

7. SPECIAL ACCESS SERVICE (Cont'd)

7.2 Services Offered (Cont'd)

7.2.3 Video Service

A Video Service channel is a one-way transmission capability for standard 525 line/60 field monochrome, video signal and one or two associated 5 or 15 kHz audio signals. Technical specifications and channel interface may vary in provisioning as requested by the Customer. Video Service may also be provided on a two-way, switched basis if required to meet Customer requirements. Rates for such service(s) would be in accordance with FCC rules on an individual case basis.

7.2.4 Digital Data Service

Digital Service provides a digital transmission channel capable of normally carrying synchronous digital data signals. Configurations available are as follows: 56 Kbps Data Service with 4-wire, 135 ohm, point to point full duplex synchronous circuit operating at 56 Kbps; 64 Kbps Data Service with 4-wire 135 ohm handoff, point to point, clear channel, full duplex synchronous data circuit; Fractional DS-1 which provides a point to point channel at any speed between 56 Kbps and 44.736 Mbps for full duplex synchronous data transmission, provided that the speed is a multiple of 56 or 64 Kbps.

4-Wire Service provides a digital transmission channel capable of normally carrying, among other information, the digitized representation of voice and duplex transmission of data converted to analog signals. The service requires Customer technical requirements of a standard 4-wire data conditioned phone circuit in configurations as follows: 4-wire, 600 ohm, open loop with C4/D1 conditioning; 4-wire tie line/trunk with signaling supporting Type I, II, and III E+M or reverse E+M. Optional Features and Functions will include bridging, hubbing, and public packet switching network interface compatible with X.25 and X.75 packet switching protocols.

Issued: July 28, 1998

Effective: July 29, 1998

Joseph D. Jensen, President
5566 Southwyck Blvd.
Toledo, Ohio 43614

ACCESS SERVICE -- CARRIER TO CARRIER

7. SPECIAL ACCESS SERVICE (Cont'd)**7.2 Services Offered (Cont'd)****7.2.5 High Capacity Service**

A High Capacity channel is a channel for the transmission of nominal 64.0 Kbps or 1.544, 3.152, 6.132, 44.736, or 264.176 Mbps isochronous serial data. The actual bit rate is a function of the channel interface selected by the Customer. Optional Features and Functions include automatic loop transfer, transfer arrangement, and various types of multiplexing.

7.2.5.1 DS-3 Service

A Service which is composed of digital channels provided at 44.736 Mbps for the transmission of one- and two-way communications. The service would include voice, analog data, or digital data channels. The Customer must specify the desired configuration as follows:

- (a) Clear Channel DS-3, which is a DS-3 signal transmitted intact and transparently as provided at the Customer interface. No performance monitoring is performed since all 44.736 Mbps are considered customer voice or data,
- (b) M13 Framed DS-3, which is a DS-3 that is channelized into 28 DS-1 signals and include a predefined standard multiplexing scheme as defined in ANSI T1.107a. A Framed DS-3 (x)
contains parity bits and can be monitored to provide performance measure,

(x) Issued under the authority of Special Permission No. 98-160 of the Federal Communications Commission.

Issued: July 28, 1998

Effective: July 29, 1998

Joseph D. Jensen, President
5566 Southwyck Blvd.
Toledo, Ohio 43614

ACCESS SERVICE -- CARRIER TO CARRIER

7. SPECIAL ACCESS SERVICE (Cont'd)

7.2 Services Offered (Cont'd)

7.2.5 High Capacity Service (Cont'd)

7.2.5.1 DS-3 Service (Cont'd)

- (c) C-bit Parity Framed DS-3 is a DS-3 that can be used for subrated or non-subrated DS-3 signals. This service allows signal monitoring for end-to-end performance measurement on an in-service basis, transmitted on the maintenance data communications channel. The C-bit parity format is defined with 43.232 Mbps used for Customer data (or voice), the remainder being used for framing, synchronization, parity, etc.

7.2.5.2 Synchronous Optical Service

A Synchronous Optical Channel Service provides a high-speed channel for the transmission of synchronous full duplex data over optical fiber utilizing Synchronous Optical Network (SONET) standards at 155.52 or 622.08 Mbps. The service also provides add or drop bandwidth capacity for delivery of service to customer premises.

7.2.5.3 DS-1 Service

A service which is composed of digital channels provided at 1.544 Mbps for the transmission of one- and two-way communications. This service supports voice, analog, data, digital data and video services.

The Customer must specify the desired configuration as follows:

ACCESS SERVICE -- CARRIER TO CARRIER

7. SPECIAL ACCESS SERVICE (Cont'd)

7.2 Services Offered (Cont'd)

7.2.5 High Capacity Service (Cont'd)

7.2.5.3 DS-1 Service (Cont'd)

- (a) Unframed DS-1 is a signal that does not follow standard framing formats of 192 bits for data and a 193rd bit for framing. An unframed DS-1 cannot be synchronized to the network and is not performance monitored.
- (b) D4/SF DS-1 is a framed DS-1 consisting of 12 frames (2316 bits) of 192 bits preceded by one framing (F bit). This service can be coded as AMI or as B8ZS.
- (c) ESF DS-1 extends superframe structure from 12 to 24 frames (4632 bits) and redefines the 8 kbps pattern into 2 kbps for mainframe and robbed-bit signaling synchronization, 2 kbps for CRC-6 and 4 kbps for terminal-to-terminal data link. The service can be coded as AMI or B8ZS.

7.2.5.4 DS-O Service

DS-O services are digital channels furnished at transmission speeds of 56 Kbps, 64 Kbps, or in multiples of 56 Kbps or 64 Kbps up to 1.544 Mbps (DS-1). The Company will configure these signals to transmit digital data at specified data rates or analog signals as specified by the Customer. Examples of configurations would include: 2-wire analog; 2-wire, 600 or 900 ohm, loop start; 2-wire, 600 ohm,

Issued: July 28, 1998

Effective: July 29, 1998

Joseph D. Jensen, President
5566 Southwyck Blvd.
Toledo, Ohio 43614

ACCESS SERVICE -- CARRIER TO CARRIER

7. SPECIAL ACCESS SERVICE (Cont'd)

7.2 Services Offered (Cont'd)

7.2.5 High Capacity Service (Cont'd)

7.2.5.4 DS-O Service (Cont'd)

20 Hz ringing; 2 wire, 600 or 900 ohm, loop start, ground start or E+M with industry standard demarcation; 2-wire, 600 ohm, open loop (2-wire, only where available).

7.2.5.5 Multiplexing

Multiplexing conversions as follows will be offered as standard:

DS-3 to	DS-1
DS-1C to	DS-1
DS1 to	Voice
DS-1 to	DS-O
DS-O	Subrate

ACCESS SERVICE -- CARRIER TO CARRIER

7. SPECIAL ACCESS SERVICE (Cont'd)

7.2 Services Offered (Cont'd)

7.2.6 Certain Other Services

Certain other services not specifically noted above may be provided by the Company on an Individual Case Basis (ICB). Such services may include, but are not limited to the following:

- Asynchronous Transfer Mode
- Synchronous Optical (@ OC-3, 155.52 Mbps)
- Synchronous Optical (@ OC-12, 622.08 Mbps)

7.3 Rate Regulations

This section contains a brief description and the general regulations governing the rates and charges that apply for Special Access Service.

7.3.1 Description and Application of Rates

Special Access Service rates consist of applicable rate elements for a monthly (or in some instances daily) period and non-recurring charges. Recurring rates reflect facility quantities, facility distance (mileage), facility connections, and optional features and functions. Non-recurring rates reflect charges for installation of service and/or optional features and functions, service rearrangements, administrative changes, and moves and changes.

The Federal Universal Service Fund Surcharge Factor
applies to all End User Special Access Services billed per month.

(N)
(N)

Three basic rate categories apply to Special Access:

ACCESS SERVICE -- CARRIER TO CARRIER

7. SPECIAL ACCESS SERVICE (Cont'd)

7.3 Rate Regulations (Cont'd)

7.3.1 Description and Application of Rates (Cont'd)

- Channel Terminations
- Channel Mileage
- Optional Features and Functions.

7.3.1.1 Channel Terminations recovers the costs associated with the communications path between a customer designated premises and the serving wire center of that premises.

7.3.1.2 Channel Mileage recovers the costs associated with the end office equipment and transmission facilities between serving wire centers or between serving wire center and a Company hub or bridging point. Two sub-rates of Channel Mileage are Channel Mileage Facility and Channel Mileage Termination. Channel Mileage Facility recovers the per mile cost for the transmission path. The Channel Mileage Termination recovers the cost for end office equipment required to terminate the facility at a switching center, bridge point or hub.

7.3.1.3 Optional Features and Functions recover costs associated with features and functions added to improve a Special Access Service quality or utility such as signaling, hubbing, conditioning, transfer arrangements. These will vary by the type of Special Access Service and are listed in Section 11, Rates for Service.

Issued: July 28, 1998

Effective: July 29, 1998

Joseph D. Jensen, President
5566 Southwyck Blvd.
Toledo, Ohio 43614

ACCESS SERVICE -- CARRIER TO CARRIER

7. SPECIAL ACCESS SERVICE (Cont'd)

7.3 Rate Regulations (Cont'd)

7.3.2 Minimum Period

The minimum service period for all services except part-time audio or video services is one month. The minimum service period for a part-time service is a continuous 24-hour period, not limited to a calendar day.

7.3.3 Mileage Measurement

Mileage to be used in the determination of the monthly rate is calculated on the basis of the airline distance between the locations involved. Examples would include distance between the customer designated premises and a serving wire center, distance between a Customer designated premises and a Company hub, distance between a serving wire center and a WATS serving office, distance between a serving wire center and a hub.

7.3.4 Individual Case Basis Rates

The Company may, where certain Special Access Services or arrangements are required to meet Customer requirements, subject to Commission regulations and approval, utilize rates based on an Individual Case Basis.

7.3.5 Surcharge for Special Access Service

Special access services provided under this tariff may be subject to a monthly Special Access Surcharge.

The Special Access Surcharge will apply to each interstate Special Access Service that terminates on an end user's PBX or other device, where through a function of the device, the Special Access Service connects to the local exchange network.

Issued: July 28, 1998

Effective: July 29, 1998

Joseph D. Jensen, President
5566 Southwyck Blvd.
Toledo, Ohio 43614

Buckeye TeleSystem, Inc.

TARIFF F.C.C. NO. 1
Original Page No. 102

ACCESS SERVICE -- CARRIER TO CARRIER

7. SPECIAL ACCESS SERVICE (Cont'd)

7.3 Rate Regulations (Cont'd)

7.3.5 Surcharge for Special Access Service (Cont'd)

Special Access Service will be exempted from the Surcharge upon receipt of the Customer's written certification stating the reason for exemption at the time service is ordered or installed, at such time the service is reterminated to a device that does not interconnect to the local exchange facilities or at such time as the service becomes incompatible with switched access service that is subject to carrier common line charges.

Issued: July 28, 1998

Effective: July 29, 1998

Joseph D. Jensen, President
5566 Southwyck Blvd.
Toledo, Ohio 43614

ACCESS SERVICE -- CARRIER TO CARRIER

8. MISCELLANEOUS ACCESS SERVICES

8.1 General

Miscellaneous Access Service may be provided by the Company at the request of a Customer on an individual case basis if such service arrangements are: not offered under other sections of this tariff; the facilities utilized to meet the request are of a type normally used by the Company in furnishing service; the service or arrangements are compatible with other services and facilities; the service is available and within the Company's personnel and capital resources. Charges may include non recurring, recurring and/or special, terminating costs or combinations thereof.

8.2 Services Offered

Miscellaneous Access Services may include, but are not limited to the following: Special Construction; Additional engineering or Labor; Maintenance of Service; New Access Services; Testing Services; Presubscription; Verification of Orders for Long Distance. Miscellaneous Access Service are provided to Customers on an individual case basis in accordance with rules of the FCC.

8.2.1 Special Construction

Special construction would include the costs for the provision of an Access Service that may not be available over such routes, facilities or equipment normally provided.

8.2.2 Additional Engineering or Labor

Additional Engineering will apply when requested and approved by the Customer for the following: (1) when a Customer requests additional information subsequent to the Company-provided DLR information; (2) when additional engineering time is required for a customized order; or (3) when a Customer requests a design change and additional engineering time is required.

Issued: July 28, 1998

Effective: July 29, 1998

Joseph D. Jensen, President
5566 Southwyck Blvd.
Toledo, Ohio 43614

ACCESS SERVICE -- CARRIER TO CARRIER

8. MISCELLANEOUS ACCESS SERVICES (Cont'd)

8.2 Services Offered (Cont'd)

8.2.2 Additional Engineering or Labor (Cont'd)

Additional Labor will apply when requested and approved by the Customer for the following: (1) for overtime installation or repair specifically requested by the Customer outside of normal Company working hours; (2) standby of Company personnel for acceptance testing on installations or cooperative testing in excess of one hour; or (3) when labor is required to meet a specific Customer request not covered by any other section of this tariff.

8.2.3 New Services

New services not previously offered under this tariff will be provided initially on an individual case basis in conformance with FCC rules.

8.2.4 Testing

When the Customer requests testing which is beyond that which is normally provided at Company locations in connection with Service(s) and at Customer designated premises, additional charges will apply when accepted and approved by the Customer. All testing of this type shall be subject to availability of the necessary qualified personnel and test equipment. A request for testing that is not consecutive with an employee's scheduled work period is regarded as a call out. A minimum call out of four hours will apply.

8.2.5 Presubscription

Presubscription is the process by which an end user Customer may select and designate to the Company an interexchange carrier (IC) for the provision of interstate toll service. This IC is referred to as the end user's pre-designated IC. An end user Customer may indicate a primary interexchange carrier or may elect to select an IC on a per call basis by dialing an access code to make toll calls. Customers that have pre-designated an IC may also dial an access code to direct calls to an

Issued: July 28, 1998

Effective: July 29, 1998

Joseph D. Jensen, President
5566 Southwyck Blvd.
Toledo, Ohio 43614

Buckeye TeleSystem, Inc.

TARIFF F.C.C. NO. 1
Original Page No. 105

ACCESS SERVICE -- CARRIER TO CARRIER

8. MISCELLANEOUS ACCESS SERVICES (Cont'd)

8.2 Services Offered (Cont'd)

8.2.5 Presubscription (Cont'd)

alternative IC on a per-call basis. There are no initial charges associated with presubscription.

A Customer may initiate a presubscription change at any time. The Company will maintain a listing of all available interexchange carriers and provide them on a random sequential basis to aid the Customer in the selection process. The change of an IC is subject to the appropriate non-recurring charge.

If an IC requests a primary interexchange carrier (PIC) change on behalf of a billed party with the appropriate authorization and the Customer advises the Company the authorization is denied and the IC is unable to substantiate the change, the Customer will be reassigned to its previously selected IC if a change has already taken place and the IC that requested the change will be subject to an Unauthorized PIC Change Charge in addition to the normal PIC change charge.

8.2.6 Verification of Orders for Long Distance

IC's shall submit orders to the Company for PIC designations only in compliance with FCC and FCC rules. When Company personnel incur administrative costs associated with verification of orders for long distance, a Verification of Order for Long Distance charge may apply.

8.2.7 Maintenance of Service

The Customer shall be responsible for payment of a Maintenance of Service charge when the Company dispatches personnel to the customer designated premises and trouble is found to be with Customer facilities or equipment.

Issued: July 28, 1998

Effective: July 29, 1998

Joseph D. Jensen, President
5566 Southwyck Blvd.
Toledo, Ohio 43614

ACCESS SERVICE -- CARRIER TO CARRIER

8. MISCELLANEOUS ACCESS SERVICES (Cont'd)

8.2 Services Offered (Cont'd)

8.2.8 Specialized Service or Arrangements (Cont'd)

Specialized Service or Arrangements may be provided by the Company at the request of the Customer on an individual case basis (ICB) if such services or arrangements meet the following:

- the service(s) or arrangement(s) are not offered under other sections of the tariff,
- the service(s) or arrangement(s) are a type normally used by the Company, the service(s) or arrangement(s) are compatible with other Company Service(s), facilities and engineering and maintenance practices,
- the offering is subject to the availability of Company personnel and capital resources.

8.2.9 Blocking Service

8.2.9.1 International Blocking Service

The Company will provide International Blocking Service to Customers who obtain Feature Group D Switched Access Service under this tariff. This service is only provided at appropriately equipped Company end offices.

On each line or trunk for which International Blocking Service is ordered, the Company will block all direct dialed international calls that use the call sequence of 011+ or appropriate access code dialing arrangements for international calling. When capable, the Company will route the blocked calls to a recorded message.

Issued: July 28, 1998

Effective: July 29, 1998

Joseph D. Jensen, President
5566 Southwyck Blvd.
Toledo, Ohio 43614

ACCESS SERVICE -- CARRIER TO CARRIER

8. MISCELLANEOUS ACCESS SERVICES (Cont'd)

8.2 Services Offered (Cont'd)

8.2.9 Blocking Service (Cont'd)

8.2.9.1 International Blocking Service (Cont'd)

An International Blocking Service charge as set forth in Section 11 following is applicable for each new or existing exchange line or trunk or Feature Group D Switched Access line to which International Blocking Service is added or removed. This charge does not apply when blocking is removed from an exchange line or trunk or Feature Group D Switched Access line at the same time that it is disconnected.

A Miscellaneous Service Order Charge as set forth in Section 11 will apply to orders adding or removing International Blocking Service that are placed subsequent to the initial installation of the associated exchange line(s) or trunk(s) or Feature Group D Switched Access line(s). This charge does not apply when blocking is removed from an exchange line or trunk or Feature Group D Switched Access line at the same time that it is disconnected.

8.2.9.2 900 Blocking Service

The Company will provide 900 Blocking Service to Customers who obtain local exchange service from the Company under its general or local exchange tariffs. This service is only provided at appropriately equipped end offices. Those offices providing 900

Blocking Service are identified in NATIONAL EXCHANGE CARRIER ASSOCIATION, INC. TARIFF F.C.C. NO. 4. (x) (x)

(x) Issued pursuant to Special Permission No. 98-160 of the Federal Communications Commission.

Issued: July 28, 1998

Effective: July 29, 1998

Joseph D. Jensen, President
5566 Southwyck Blvd.
Toledo, Ohio 43614

Buckeye TeleSystem, Inc.

TARIFF F.C.C. NO. 1
Original Page No. 108

ACCESS SERVICE -- CARRIER TO CARRIER

8. MISCELLANEOUS ACCESS SERVICES (Cont'd)

8.2 Services Offered (Cont'd)

8.2.9 Blocking Service (Cont'd)

8.2.9.2900 Blocking Service (Cont'd)

On each line or trunk for which 900 Blocking Service is ordered, the Company will block all direct dialed calls placed to a 900 number. When capable, the Company will route the blocked calls to a recorded message.

A Blocking Service charge as set forth in Section 11 following is applicable when ordered by the end user Customer except when such Customer establishes telephone service at a new number and for 60 days thereafter.

The Blocking Service charge is applied for each line, to which 900 Blocking Service is added to removed. Requests by end user Customers to remove 900 Blocking Service must be in writing. This charge does not apply when blocking is removed from an exchange line at the same time that it is disconnected.

Issued: July 28, 1998

Effective: July 29, 1998

Joseph D. Jensen, President
5566 Southwyck Blvd.
Toledo, Ohio 43614

Buckeye TeleSystem, Inc.

TARIFF F.C.C. NO. 1
Original Page No. 109

ACCESS SERVICE -- CARRIER TO CARRIER

8. MISCELLANEOUS ACCESS SERVICES (Cont'd)

8.2 Services Offered (Cont'd)

8.2.10 Originating Line Screening (OLS) Service

The Company will provide OLS Service to end user Customers who obtain local exchange service from the Company under its general or local exchange tariffs. OLS Service enables Customers to determine whether there are billing restrictions on lines from which a call is placed. OLS Service delivers a code on operator-assisted calls made from an aggregator location to identify privately owned payphones, inmate and hotel/motel locations.

OLS Service is provided at no charge when ordered with the installation of new local exchange service. However, when OLS Service is added to existing exchange lines, an OLS Service charge is applied as set forth in Section 11. This charge is applied for each exchange line to which an OLS code is assigned. The Customer must specify the number of lines and each individual telephone number equipped.

A Miscellaneous Service Order Charge as set forth in Section 11 will apply to orders adding OLS Service that are placed subsequent to the initial installation of the associated exchange line. This charge does not apply when the OLS code is removed from an exchange line at the same time that it is disconnected.

At the request of the Customer, the Company will confirm OLS codes associated with a line from which a call is placed.

Issued: July 28, 1998

Effective: July 29, 1998

Joseph D. Jensen, President
5566 Southwyck Blvd.
Toledo, Ohio 43614

ACCESS SERVICE -- CARRIER TO CARRIER

9. TELECOMMUNICATIONS SERVICE PRIORITY9.1 General

This section contains tariff information relative to the provision or treatment of access services for the National Security Emergency Preparedness (NSEP) Telecommunications Service Priority (TSP) System. The NSEP TSP System authorizes priority treatment to certain domestic telecommunications services for which provisioning or restoration priority (RP) levels are requested, assigned, and approved in accordance with the Federal Communications Commission's Part 64 Rules, Subpart D, Section 64.401 with Appendix A for such part.

9.2 Description

The NSEP TSP System is the regulatory, administrative, and operational system authorizing and providing for priority treatment, *i.e.*, provisioning and restoration, of NSEP telecommunication services. As such, it establishes the framework for telecommunication service vendors to provision, restore, or otherwise act on a priority basis to ensure effective NSEP telecommunication services. The NSEP TSP System allows the assignment of priority levels to any NSEP service across three time periods or stress conditions:

- Peacetime/Crisis/Mobilizations
- Attack/War
- Post-Attack/Recovery.

Although priority levels normally will be assigned by the Executive Office of the President and retained by service vendors only for the current time period, they may be preassigned for the other two time periods at the request of service users who are able to identify and justify in advance, their wartime or post-attack NSEP requirements.

Issued: July 28, 1998

Effective: July 29, 1998

Joseph D. Jensen, President
5566 Southwyck Blvd.
Toledo, Ohio 43614

ACCESS SERVICE -- CARRIER TO CARRIER

9. TELECOMMUNICATIONS SERVICE PRIORITY (Cont'd)

9.3 Implementation

The Company will in the provision or restoration of its Service(s) and in cooperation with other carriers, within the limits of good management, make available or restore the necessary facilities to provide service or to provide temporary emergency service.

Where appropriate, the Company may make use of government-owned facilities to provide, restore or provide temporary emergency service.

9.4 Billing & Rates For Service

In accordance with Federal Government Regulations, all service provided to the Federal Government will be billed in arrears. However, this provision does not apply to other Customers that obtain services under this tariff to provide their services to the Federal Government.

The rates and charges for services shall be developed on an individual case basis and shall be consistent with the rates and charges for services offered in other sections of this tariff.

When mileage is used for rate application between serving wire centers, the V&H coordinate method shall be used. Where V&H coordinates do not exist, point-to-point airline distance shall apply.

ACCESS SERVICE -- CARRIER TO CARRIER

10. PACKET DATA NETWORK

Packet Data Networks utilize separate data networks, comprised of switching and transmission facilities. The networks provide for the transfer of data provided by a Customer in a frame format. The data are separated into discreet segments for transmission through the public packet data network.

10.1 Frame Relay Access Service

10.1.1 General

Frame Relay Access Service (FRAS) is a medium-speed, connection-oriented packet-switched data service that allows for the interconnection of Local Area Networks (LANs) or other compatible customer premises equipment for the purpose of connecting to a local, state or interstate frame relay network. Terminal equipment accumulates the Customer data and puts them into a frame relay format suitable for transmission over the FRAS network. Terminal equipment must conform to the American National Standards Institute and Telecommunication Standardization Bureau of the International Telecommunication Union standards.

10.1.2 Service Description

FRAS is a transport service that facilitates the exchange of variable length information units (frames) between Customer connections. Frames travel a fixed path through the network with an address that specifies the permanent virtual connection. Addresses are read by the network processor and the frames are relayed to the preassigned destination. FRAS allows access to multiple locations over a single access line. FRAS service includes: the Frame Relay Access Connection (FRAC), the Frame Relay Inter-network Connection (FRIC), Permanent Virtual Connections (PVCs) which have associated Committed Information Rates (CIRs), and User-to-Network or Private or Public Network-to-Network Port Interface.

ACCESS SERVICE -- CARRIER TO CARRIER

10. PACKET DATA NETWORK (Cont'd)10.1 Frame Relay Access Service (Cont'd)

10.1.2 Service Description (Cont'd)

The FRAC and the FRIC elements provide access to a Company end office equipped with a frame relay switch. The FRAC combines a frame relay compatible 56.0 kbps, 64.0 kbps, 128 kbps, 384 kbps to 1.544 Mbps digital transport facility with a port on a frame relay switch. The port would be either a User-to-Network or Private or Public Network-to-Network Port Interface. In certain instances only a User-to-Network Port or Network-to-Network Port Interface would apply.

The FRAC includes the Company facility between the Customer designated premises and the customer-serving end office. The end user port is a user-to-network interface that provides the lineside physical entry into the Company frame relay network and permits the use of FRAS-compatible Customer premises equipment.

The FRIC provides for an interface between the Company's Frame Relay network and an access Customer's network, usually another common carrier, where connections are shared by multiple Customers. It includes the Company facility between the access Customer designated premises and the Company's switch and the inter-network port. The inter-network port is a network-to-network interface that provides the trunk-side physical entry point into the Company frame relay network and the Customer network/Customer designated premises. The inter-network port may be public (for multiple Customers) or private (dedicated to a single Customer).

Permanent Virtual Connections (PVCs) are software defined, end-to-end, bi-directional communications paths within the frame relay network/switch to connect the ports.

ACCESS SERVICE -- CARRIER TO CARRIER

10. PACKET DATA NETWORK (Cont'd)10.1 Frame Relay Access Service (Cont'd)

10.1.2 Service Description (Cont'd)

These PVCs are undedicated electronic connections. The two types of PVCs are (1) a standard PVC and (2) an extended PVC. A standard PVC connects a communications path between two ports on or within the Company's frame relay switch. The extended PVC connects a communications path between two ports on two interconnected frame relay switch networks, one of which is the Company.

In certain circumstances or service configurations where a transport facility between a Customer designated premises and the frame relay switch is required, or when Service is provided by more than one frame relay provider, Service may be provided utilizing Special Access Service as set forth in Section 7 of this tariff. In those circumstances, service would be provided by Special Access Channel Mileage and Channel Termination(s) in addition to the rates and charges associated with FRAS. For example, Special Access Service, End User Port and/or Inter-network Customer Port charge(s) would apply in lieu of the Frame Relay Access Connection or Frame Relay Inter-network Connection. Generic views of FRAS are shown in Section 10.1.6. following.

10.1.3 FRAS Ordering and Requirements

FRAS is ordered under the Access Order provisions set forth in Section 3, preceding. Charges applicable to ordering of Service provided by the Company may also apply (e.g., service date change charges, cancellation charges, etc.)

A minimum of two FRAS connections are required for data to be transported between Customer designated premises.

Issued: July 28, 1998

Effective: July 29, 1998

Joseph D. Jensen, President
5566 Southwyck Blvd.
Toledo, Ohio 43614

ACCESS SERVICE -- CARRIER TO CARRIER

10. PACKET DATA NETWORK (Cont'd)

10.1 Frame Relay Access Service (Cont'd)

10.1.4 Acceptance Testing

The Company will at no additional charge, (at the Customer's request,) cooperatively test at the time of installation.

10.1.5 Rate Categories, Regulations

This section contains the specific categories and regulations governing the rates and charges for FRAS.

FRAS is available at the Company's wire centers in the State of Ohio or in the State of Michigan and identified in National Exchange Carrier Association Tariff F.C.C. No. 4.

(T)
(N)

(A) Frame Relay Access Connection

The FRAC rate element recovers the cost associated with the communication path between the end user's premises and the company frame relay switch. It consists of an end-user interface port (EUP) to the Company's network and a bundled access line. One FRAC charge applies per customer designated premises at which the FRAS connection is terminated. This applies even if the customer designated premises and the frame relay switch are collocated. A Customer may order a port-only EUP service.

ACCESS SERVICE -- CARRIER TO CARRIER

10. PACKET DATA NETWORK (Cont'd)10.1 Frame Relay Access Service (Cont'd)

10.1.5 Rate Categories, Regulations (Cont'd)

(B) Frame Relay Inter-Network Connection

The FRIC rate element recovers the costs associated with the communication path between the access Customer's (e.g., other common carrier, ILEC or IXC) customer designated premises and the Company's frame relay switch.

FRIC includes the physical transmission facility between the Customer designated premises and the frame relay switch, any interoffice transport that may apply, and the inter-network customer port (ICP) on the Company's frame relay switch. One FRIC charge applies per Customer designated premises at which the FRAS connection is terminated and applies even if the Customer designated premises and the frame relay switch are collocated. A Customer may order only an Inter-network Customer Port to interface between the Company's frame relay switch network and another network provided by another common carrier which would be dedicated to a single access Customer.

(C) Frame Relay Port Charges

- (1) End-User Port (EUP) charge is applied as a discreet rate element in conjunction with jointly-provided Special Access Service and is in addition to other applicable rates and charges identified in Section 7 of this Tariff. The EUP is the physical location in the Company's switch office where the transport facility of the end-user Customer connects to the FRAS network.

ACCESS SERVICE -- CARRIER TO CARRIER

10. PACKET DATA NETWORK (Cont'd)

10.1 Frame Relay Access Service (Cont'd)

10.1.5 Rate Categories, Regulations (Cont'd)

(C) Frame Relay Port Charges (Cont'd)

It specifies how a frame relay switch sends and receives data from a frame relay end-user Customer LAN or compatible Customer premises equipment. The end-user Customer must specify the appropriate speed so as to match the port and the associated transport facility.

- (2) Inter-network Customer Port (ICP) charge is applied as a discreet rate element in conjunction with jointly-provided Special Access Service and is in addition to other applicable rates and charges identified in Section 7 of this tariff. The ICP is the physical network-to-network interface location where the transport facility of the access Customer connects to the Company's frame relay switch network.

The ICP is generally a connection dedicated to a single access Customer and specifies how a frame relay switch sends and receives data from a frame relay access Customer's network. The access Customer must specify the appropriate speed so as to match the port and the associated transport facility.

ACCESS SERVICE -- CARRIER TO CARRIER

10. PACKET DATA NETWORK (Cont'd)10.1 Frame Relay Access Service (Cont'd)

10.1.5 Rate Categories, Regulations (Cont'd)

(D) Permanent Virtual Connection (PVC)

A PVC is a software defined link between two frame relay ports based on Customer specified Committed Information Rate (CIR). The CIR is a transmission speed specified by the Customer ranging from 64 kbps to 1.536 Mbps. Customers will be provided with the capacity to transmit at speeds up to two times the CIR with no guarantee of completion. Customer may order multiple PVCs on a given port subject to switch limitations. Customers anticipating non-simultaneous transmission may order CIRs assigned to these multiple PVCs, the sum of which may theoretically exceed the actual throughput of the port. However, when simultaneous transmission of multiple PVCs occurs, the total of the transmission rate (CIRs) may not exceed the actual throughput of the port.

A Standard Permanent Virtual Connection (SPVC) establishes a communications path between two ports within the Company's frame relay switch network.

An Extended Permanent Virtual Connection (EPVC) establishes a communications path between two ports on two interconnected (network-to-network) frame relay networks.

(E) Rate and Charge Types

The two types of rates and charges include monthly rates and nonrecurring or one-time rates, as described below:

ACCESS SERVICE -- CARRIER TO CARRIER

10. PACKET DATA NETWORK (Cont'd)

10.1 Frame Relay Access Service (Cont'd)

10.1.5 Rate Categories, Regulations (Cont'd)

(E) Rate and Charge Types (Cont'd)

- (1) Monthly Rates: A recurring rate or rates that apply each month or fraction thereof that a FRAS is provided. Each month is considered to have 30 days.
- (2) Nonrecurring Rates: One-time charges that apply to a specific work activity (e.g., installation, moves, changes, etc.) for frame relay service and are in addition to all applicable access order charges specified in Section 3 of this Tariff.
 - (a) Installation of Services include nonrecurring charges for FRAC, FRIC, SPVC, EPVC and Port Only. These charges apply per item installed based on the speed of connection ordered by the Customer.
 - (b) Service Rearrangements/Moves are changes or moves to in-place service(s). A Rearrangement Charge will be applied whenever a change is made to the CIR of an existing SPVC or EPVC or the port destination of the PVC.
 - (c) Administrative Changes will be made without charge for such items as account number changes, billing name, address, contact information, circuit ID, jurisdiction change.

ACCESS SERVICE -- CARRIER TO CARRIER

10. PACKET DATA NETWORK (Cont'd)

10.1 Frame Relay Access Service (Cont'd)

10.1.5 Rate Categories, Regulations (Cont'd)

(F) FRAS Minimum Period

The minimum period for FRAS is one month and the full monthly rate will apply for the first month. Adjustments for quantities of Services established or discontinued in any billing period beyond the minimum period are identified in Section 2 of this Tariff.

The minimum FRAS period for discounted rates (where service is provided at a discount of the full rate for a specified 24, 36 or 60 month term) shall be twelve (12) months.

(G) Term Discount Plans

A discounted rate per month may be ordered for FRAS when the term is 24 months (2 years), 36 months (3 years) or 60 months (5 years). The rates are shown in Section 11. The minimum period for Term Discount Plans is twelve (12) months. Should the Customer choose to discontinue a Term Discount Plan prior to the completion of the minimum service period, discontinuance charges shall apply.

(H) Tariff Rate Application

When FRAS is jointly provided, each provider shall bill and apply its access tariff and regulations.

Issued: July 28, 1998

Effective: July 29, 1998

Joseph D. Jensen, President
5566 Southwyck Blvd.
Toledo, Ohio 43614

ACCESS SERVICE -- CARRIER TO CARRIER

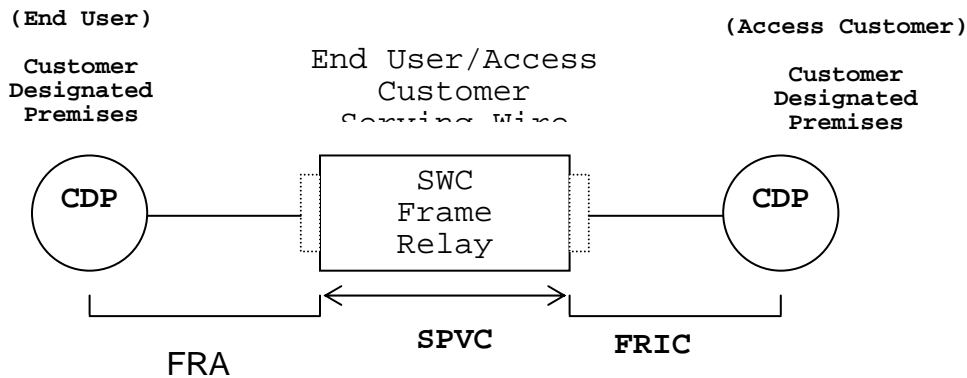
10. PACKET DATA NETWORK (Cont'd)

10.1 Frame Relay Access Service (Cont'd)

10.1.6 FRAS Generic (Illustrative) Views

Frame Relay Access Service:

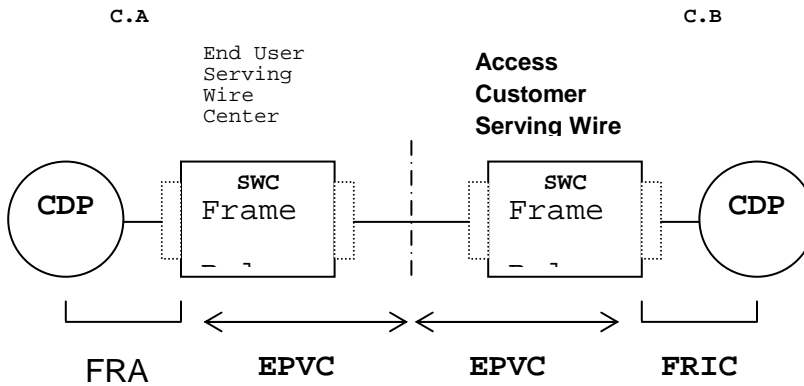
(Customer's Serving Wire Center is equipped with a frame relay switch)



Rate Elements

- FRAC = Frame Relay Connection
- PVC = Standard Permanent Virtual Connection
- FRIC = Frame Relay Inter-network Connection

Interconnected Frame Relay Access Connection



Rate Elements

- FRAC = Frame Relay Connection
- PVC = Standard Permanent Virtual Connection
- FRIC = Frame Relay Inter-network Connection

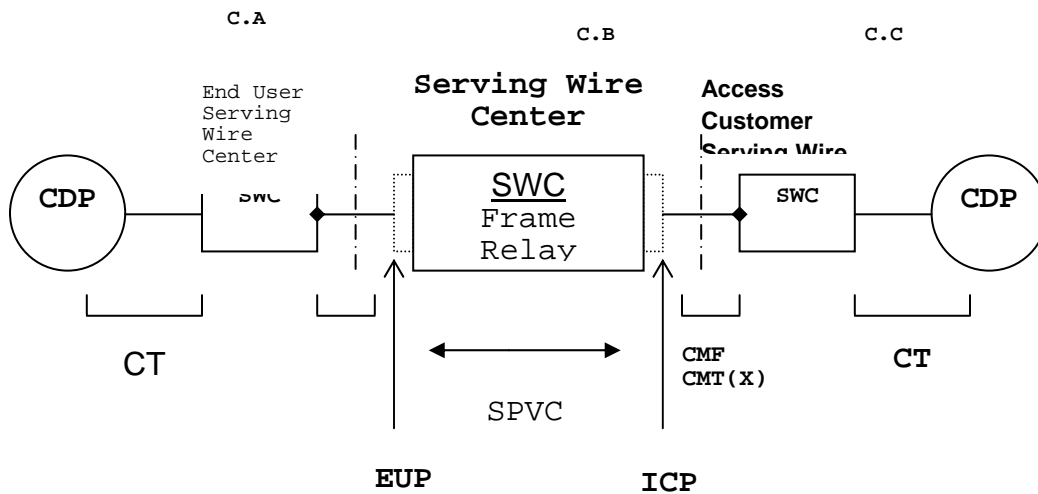
ACCESS SERVICE -- CARRIER TO CARRIER

10. PACKET DATA NETWORK (Cont'd)

10.1 Frame Relay Access Service (Cont'd)

10.1.6 FRAS Generic (Illustrative) Views (Cont'd)

Jointly Provided Frame Relay Access Service:



RATE ELEMENTS

	(Special Access Service)	(Frame Relay Access Service)
EC "A"	CT = Channel Termination CMT = Channel Mileage Termination CMF = Channel Mileage Facility	
EC "B"	CMF = Channel Mileage Facility CMF = Channel Mileage Facility	EUP = End User Port SPVC = Standard Permanent Virtual Connection ICP = Inter-network Customer Port
EC "C"	CT = Channel termination CMT = Channel Mileage Termination CMF = Channel Mileage Facility	

Issued: July 28, 1999

Effective: July 29, 1998

Joseph D. Jensen, President
5566 Southwyck Blvd.
Toledo, Ohio 43614

ACCESS SERVICE -- CARRIER TO CARRIER

11. RATES FOR SERVICE

11.1 General

Rates for service will include non-recurring charges, recurring charges for the rate elements or items specified in previous sections of this tariff, miscellaneous charges, or ICB charges or combinations of same and are identified herein. Unless otherwise indicated in this Section, the rates and charges identified herein apply to the Company's operations in both the State of Ohio and the State of Michigan.

(N)
|
(N)

11.2 Termination Liability

To the extent that there is no other requirement for use by the Company, a termination liability may apply for facilities or services provided for Switched Access, Special Access or Miscellaneous Access Services which were provided to the Customer. The termination liability period is the estimated service life of the equipment or facilities provided plus the associated costs to provide the service. The applicable termination liability is that remaining of the applicable minimum or on Special Construction, an amount equal to 65% of the remaining term obligation.

ACCESS SERVICE -- CARRIER TO CARRIER

11. RATES FOR SERVICE (Cont'd)11.3 Access Ordering Rates

Orders are usually referred to as Access Orders or Access Service Requests (ASRs). The order charges (non-recurring charges) applicable relate to the activity costs to provide the service requested. The following are types and charges for orders:

<u>Type of Order</u>	<u>Rate</u>
Access Order (ASR)	\$60.00
Miscellaneous Order	25.00
Service Date Change	25.00
Design Change	25.00
Expedited Order	40.00
Return Check	20.00
Order Cancellation	40.00
Additional Labor or Standby (per ½ hour or fraction thereafter)	
Basic	30.00
Overtime	40.00
Premium	46.00
Additional Engineering (Per ½ hour or fraction thereafter)	
Basic	39.00
Overtime	51.00
Premium	59.00

Issued: July 28, 1998

Effective: July 29, 1998

Joseph D. Jensen, President
5566 Southwyck Blvd.
Toledo, Ohio 43614

ACCESS SERVICE -- CARRIER TO CARRIER

11. RATES FOR SERVICE (Cont'd)

11.3 Access Ordering Rates (Cont'd)

<u>Type of Order</u>	<u>Rate</u>
Additional Testing—Non-routine (per ½ hour or fraction thereafter)	
Basic	35.00
Overtime	47.00
Premium	53.00
Maintenance of Service	30.00
Insufficient Check	20.00
Bill Name and Address (BNA)	37.00
Per Tape	75.00
Per Name	.03
Info Service per ½ hour if required	28.00
Blocking Service per trunk/per line	9.00
Originating Line Screening/ per line	6.00
Special Construction	ICB
Verification of Orders for Long Distance Per PIC verified	16.50

(D)
 |
 (D)

ACCESS SERVICE -- CARRIER TO CARRIER

11. RATES FOR SERVICE (Cont'd)11.4 Switched Access Rates

	State	ILEC Company	Rate
Carrier Common Line			
Per Access Minute, Originating	ALL*	ALL**	\$0.000000
Per Access Minute, Terminating	ALL	ALL	\$0.000000
A-			
B- End User Common Line Charges			
Business Lines/Trunks	ALL	ALL	\$4.95
Analog Trunks	ALL	ALL	\$4.95
Business Custom Calling Analog Station Lines	ALL	ALL	\$4.95
ISDN BRI Stations	ALL	ALL	\$2.47
Business Custom Calling Digital Station	ALL	ALL	\$2.47
C-			
D- End User Complex Line Port Charges			
ISDN BRI Stations	ALL	ALL	\$1.00
ISDN PRI	ALL	ALL	\$14.85
Business Custom Calling Digital Station Lines	ALL	ALL	\$1.00
Digital Transport Service (Per DS-1)	ALL	ALL	\$9.90

The footnotes below refer to all appearances in Sec. 11.4 of this tariff.

Under the columns headed "State:

* "ALL" refers to Ohio and Michigan; otherwise, where applicable the individual states will be named.

Under the columns headed "ILEC Company"

** "ALL" refers to AT&T, Frontier, and Embarq; otherwise, where applicable the individual ILECs will be named. (T)

Issued: November 18, 2011

Effective: November 21, 2011

John Martin, President
5555 Airport Highway, Suite 110

ACCESS SERVICE -- CARRIER TO CARRIER

11. RATES FOR SERVICE (Cont'd)

11.4 Switched Access Rates (Cont'd)

	State	ILEC Company	Rate	
FUSF Surcharge is a factor of end-user switched services charges	ALL	ALL	¹	
Entrance Facility				
Voice Grade	ALL	ALL	\$26.00	
4-Wire	ALL	ALL	\$40.50	
High Capacity DS-1	ALL	ALL	\$149.85	
High Capacity DS-3	ALL	ALL	\$2004.75	
SS7 Signaling				
Signal Formulation per Initial Address Message (IAM)	ALL	ALL	\$0.000026	(R)
Signal Transport per IAM	ALL	ALL	\$0.000050	
Signal Switching per IAM	ALL	ALL	\$0.000117	
Signal Tandem Switching per IAM	ALL	ALL	\$0.000316	
Signal Formulation per Transaction Capability Application Part (TCAP)	ALL	ALL	\$0.000450	
Signal Transport per TCAP	ALL	ALL	\$0.000038	(R)
Signal Switching per TCAP	ALL	ALL	\$0.000150	
Operator Services				
Operator Transfer Service (Per Call)	Michigan	ALL	\$0.35	
Operator Transfer Service (Per Call)	Ohio	ALL	\$0.21	
Inbound Operator Assistance	ALL	ALL	\$0.65	
Inbound Verification	ALL	ALL	\$0.90	
Inbound Interrupt	ALL	ALL	\$1.10	

¹The rate for this element of the Company's FUSF Surcharge is that similarly labeled rate element found in the National Exchange Carrier Association, Inc., Tariff FCC No. 5, Sections 3.9.1, Federal Universal Service Charge, Rate Regulations and the percentage noted in Section 17.1.3.A.

ACCESS SERVICE -- CARRIER TO CARRIER

11. RATES FOR SERVICE (Cont'd)11.4 Switched Access Rates (Cont'd)

	State	ILEC Company	Rate	
Local Switching				
Switching per access minute	Michigan	AT&T	\$0.003116	
Switching per access minute	Michigan	Frontier	\$0.001412	(T)
Switching per access minute	Ohio	AT&T	\$0.003116	
Switching per access minute	Ohio	Embarq	\$0.003644	
Switching per access minute	Ohio	Frontier	\$0.002208	(T)
Common Trunk Port	Michigan	AT&T	\$0.000371	
Common Trunk Port	Michigan	Frontier	\$0.000529	(T)
Common Trunk Port	Ohio	AT&T	\$0.000371	
Common Trunk Port	Ohio	Embarq	\$0.000405	
Common Trunk Port	Ohio	Frontier	\$0.001548	(T)
Transport				
Common Multiplexing	Michigan	AT&T	\$0.000017	
Common Multiplexing	Michigan	Frontier	\$0.000000	(T)
Common Multiplexing	Ohio	AT&T	\$0.000017	
Common Multiplexing	Ohio	Embarq	\$0.000405	
Common Multiplexing	Ohio	Frontier	\$0.000000	(T)
Transport Termination (per MOU)	Michigan	AT&T	\$0.000103	
Transport Termination (per MOU)	Michigan	Frontier	\$0.000000	(T)
Transport Termination (per MOU)	Ohio	AT&T	\$0.000103	
Transport Termination (per MOU)	Ohio	Embarq	\$0.000412	
Transport Termination (per MOU)	Ohio	Frontier	\$0.000000	(T)
Transport Facility (per MOU, per mile)	Michigan	AT&T	\$0.000013	
Transport Facility (per MOU, per mile)	Michigan	Frontier	\$0.000002	(T)
Transport Facility (per MOU, per mile)	Ohio	AT&T	\$0.000013	
Transport Facility (per MOU, per mile)	Ohio	Embarq	\$0.000035	
Transport Facility (per MOU, per mile)	Ohio	Frontier	\$0.000002	(T)

Issued: November 18, 2011

Effective: November 21, 2011

John Martin, President
5555 Airport Highway, Suite 110
Toledo, Ohio 43615

ACCESS SERVICE -- CARRIER TO CARRIER

11. RATES FOR SERVICE (Cont'd)

11.4 Switched Access Rates (Cont'd)

	State	ILEC Company	Rate	
<u>Switched Access-Optional Features/Functions</u>				
ANI	ALL	ALL	N/C	
Service Charge Routing	ALL	ALL	N/C	
Alt Traffic Routing	ALL	ALL	N/C	
Flex ANI per ID		ALL	\$0.000150	
Flex ANI per ID		ALL	\$0.000300	
Flex ANI (NRC per End Office, per CIC)	ALL	ALL	\$350.00	
Other Optional Features and Functions	ALL	ALL	ICB	
<u>Direct Trunk Transport Facility (per mile)</u>				
High Capacity DS-1	Michigan	ALL	\$13.63	
High Capacity DS-1	Ohio	ALL	\$14.51	(I)
High Capacity DS-3	Michigan	ALL	\$44.19	(I)
High Capacity DS-3	Ohio	ALL	\$57.30	
<u>Direct Trunk Termination (per term)</u>				
High Capacity DS-1	Michigan	ALL	\$36.69	(I)
High Capacity DS-1	Ohio	ALL	\$34.15	(I)
High Capacity DS-3	Michigan	ALL	\$441.90	
High Capacity DS-3	Ohio	ALL	\$357.00	
<u>Dedicated Trunk Port (per port)</u>				
Direct Trunk Port DS-1	Michigan	ALL	\$288.00	
Direct Trunk Port DS-1	Ohio	ALL	\$118.09	
<u>Tandem Switching</u>				
Tandem Switching (per MOU)	Michigan	AT&T	\$0.001116	(R)
Tandem Switching (per MOU)	Michigan	Frontier	\$0.003000	(T)
Tandem Switching (per MOU)	Ohio	AT&T	\$0.001116	(R)
Tandem Switching (per MOU)	Ohio	Embarq	\$0.001124	
Tandem Switching (per MOU)	Ohio	Frontier	\$0.002400	(T)

Issued: November 18, 2011

Effective: November 21, 2011

John Martin, President
 5555 Airport Highway, Suite 110

ACCESS SERVICE -- CARRIER TO CARRIER

11. RATES FOR SERVICE (Cont'd)

11.4 Switched Access Rates (Cont'd)

	State	ILEC Company	Rate
Multiplexing (per arrangement)			
DS-3 to DS-1	Michigan	ALL	\$441.93
DS-3 to DS-1 One Time Charge	Michigan	ALL	\$450.00
DS-3 to DS-1	Ohio	ALL	\$515.00
DS-1 to Voice	Michigan	ALL	\$184.92
DS-1 to Voice One Time Charge	Michigan	ALL	\$800.00
DS-1 to Voice	Ohio	ALL	\$225.00
800 Data Base Query			
Basic (per query)	Michigan	AT&T	\$0.001108
Basic (per query)	Michigan	Frontier	\$0.009018 (T)
Basic (per query)	Ohio	AT&T	\$0.001108
Basic (per query)	Ohio	Embarq	\$0.006755
Basic (per query)	Ohio	Frontier	\$0.008568 (T)
Vertical Feature (per query)	Michigan	AT&T	\$0.002304
Vertical Feature (per query)	Michigan	Frontier	\$0.009018 (T)
Vertical Feature (per query)	Ohio	AT&T	\$0.002304
Vertical Feature (per query)	Ohio	Embarq	\$0.008105
Vertical Feature (per query)	Ohio	Frontier	\$0.008568 (T)
LNP Data Base Query			
LNP Query	Michigan	AT&T	\$0.001003
LNP Query	Michigan	Frontier	\$0.000926 (T)
LNP Query	Ohio	AT&T	\$0.001003
LNP Query	Ohio	Embarq	\$0.003663
LNP Query	Ohio	Frontier	\$0.000926 (T)
LNP Default	Michigan	AT&T	\$0.002002
LNP Default	Michigan	Frontier	\$0.000926 (T)
LNP Default	Ohio	AT&T	\$0.002002
LNP Default	Ohio	Embarq	\$0.003663
LNP Default	Ohio	Frontier	\$0.000926 (T)

Toledo, Ohio 43615

ACCESS SERVICE -- CARRIER TO CARRIER

11. RATES FOR SERVICE (Cont'd)

11.5 Special Access Rates

Federal Universal Service Fund	Rate
FUSC Surcharge Factor (Percentage) of End User Switched Access Services Charges	*
Voice Grade Channel	Rate
Channel Termination (per term CDP or IC-POT)	
2-wire	25.00
4-wire	40.00
Channel Mileage	
Channel Mileage Facility (per mile)	2.50
Channel Mileage Termination	25.00
Optional Features and Functions	
1) Bridging Per port [Voice, data, telephoto]	
2-wire	4.90
4-wire	4.90
Station bridging (2-wire)	18.00
2-wire	18.00
4-wire	88.00

(C)

*The rate for this element of the Company's FUSF Surcharge is that similarly labeled rate element found in the National Exchange Carrier Association, Inc., Tariff FCC No. 5, Sections 3.9.1, Federal Universal Service Charge, Rate Regulations and the percentage noted in Section 17.1.3.A. (T)

Issued: November 14, 2006

Effective: November 15, 2006

Joseph D. Jensen, President
 5566 Southwyck Blvd.
 Toledo, Ohio 43614

ACCESS SERVICE -- CARRIER TO CARRIER

11. RATES FOR SERVICE (Cont'd)11.5 Special Access Rates

<u>Channel Mileage (cont'd)</u>	
2) Conditioning	
C-type	5.50
Sealing (Current)	None
3) Improved Return Loss (per term)	
2-wire	25.00
4-wire	40.00
3) Improved Return Loss (per term)	
2-wire	9.80
4-wire	9.80
4) Customer Specified Return Level (per 2-wire term)	6.60
5) Data Capability (per term)	3.75
6) Telephoto Capability (per term)	6.80
7) Signaling Capability (per term)	9.75
8) Selective Signaling Arrangement (per arrangement)	4.90
9) Packet Data Network Interface	see 11.7
Voice Grade Moves – different location	161.00
Voice Grade Moves – same building	80.50

Issued: July 28, 1998

Effective: July 29, 1998

Joseph D. Jensen, President
5566 Southwyck Blvd.
Toledo, Ohio 43614

ACCESS SERVICE -- CARRIER TO CARRIER

11. RATES FOR SERVICE (Cont'd)11.5 Special Access Rates (Cont'd)

<u>Program Audio Service</u>	<u>Rate</u>
Channel Termination (per term)	149.00
200 to 3500 Hz	27.00
100 to 5000 Hz	29.00
50 to 8000 Hz	29.00
50 to 15000 Hz	29.00
<u>Channel Mileage Facility (per mile)</u>	
200 to 3500 Hz	18.00
100 to 5000 Hz	35.80
50 to 8000 Hz	53.70
50 to 15000 Hz	71.70
<u>Optional Features and Functions</u>	
Bridging, Distrib. Amp (Per Port)	15.00
Gain Conditioning (Per Service)	9.70
Stereo (Per Service)	16.60
Non Recurring (same building)	74.50

Issued: July 28, 1998

Effective: July 29, 1998

Joseph D. Jensen, President
5566 Southwyck Blvd.
Toledo, Ohio 43614

ACCESS SERVICE -- CARRIER TO CARRIER

11. RATES FOR SERVICE (Cont'd)

11.5 Special Access Rates (Cont'd)

<u>Channel Type Video</u>	<u>Rate</u>
Channel Termination (per term) (CDP and/or IC POT)	
TV-1 or 2	255.00
4TV5	250.00
6TV-5	260.00
TV-15	270.00
Non Recurring	310.00
<u>Channel Mileage</u>	
<u>Channel Mileage Facility (per mile)</u>	
TV – all	230.00
<u>Channel Mileage Termination (per termination)</u>	
TV – all	250.00

ACCESS SERVICE -- CARRIER TO CARRIER

11. RATES FOR SERVICE (Cont'd)

11.5 Special Access Rates (Cont'd)

<u>Channel Type Digital Data</u>	<u>Rate</u>
<u>Channel Termination (CDP and/or IC-POT) (per term.)</u>	
56 Kbps – 64.0 Kbps	49.00
Non Recurring	143.00
<u>Channel Mileage</u>	
<u>Channel Mileage Facility (per mile)</u>	
56.0	3.00
64.0	3.00
<u>Channel Mileage Termination (per termination)</u>	
56.0	30.00
64.0	30.00

ACCESS SERVICE -- CARRIER TO CARRIER

11. RATES FOR SERVICE (Cont'd)

11.5 Special Access Rates (Cont'd)

<u>Optional Features and Functions</u>	
Bridging per port	5.90
Loop transfer arrangement (per 4 port arrangement)	4.70
<u>Packet Data Network</u>	see 11.7
<u>Channel Service Unit</u>	
Per termination (2.4 – 56.0 Kbps)	23.00
<u>Channel Type High Capacity</u>	<u>Rate</u>
<u>Channel Termination (per term) (CDP and/or IC-POT)</u>	
1.544 Mbps	149.85
3.152	ICB
6.312	ICB
44.736	2,004.75
274.176	ICB
Non Recurring	275.00

Issued: July 28, 1998

Effective: July 29, 1998

Joseph D. Jensen, President
5566 Southwyck Blvd.
Toledo, Ohio 43614

ACCESS SERVICE -- CARRIER TO CARRIER

11. RATES FOR SERVICE (Cont'd)

11.5 Special Access Rates (Cont'd)

<u>Channel Termination</u>	
<u>Capacity Discount Rates (per term)</u>	
Qty of 3 DS-3 44.746 Mbps interface	1,650.00
Per DS-3 channel installed	1,290.00
Qty of 6 DS-3 44.746 Mbps interface	2,800.00
Per DS-3 channel installed	980.00
Qty of 12 DS-3 44.746 Mbps interface	4,550.00
Per DS-3 channel installed	890.00
<u>Channel Mileage</u>	
<u>Channel Mileage Facility (per mile)</u>	
64 Kbps	3.00
1.544 Mbps	18.70
3.152	ICB
6.312	ICB
44.736	102.10
274.176	ICB

Issued: July 28, 1998

Effective: July 29, 1998

Joseph D. Jensen, President
5566 Southwyck Blvd.
Toledo, Ohio 43614

ACCESS SERVICE -- CARRIER TO CARRIER

11. RATES FOR SERVICE (Cont'd)

11.5 Special Access Rates (Cont'd)

<u>Channel Mileage Termination (per termination)</u>	
64 Kbps	25.00
1.544 Mbps	56.00
3.152	ICB
6.312	ICB
44.736	343.40
274.176	ICB
Discounts:	
<u>Channel Termination, Channel Mileage Facility, Channel Mileage Termination</u>	
36 months	15%
60 months	20%

ACCESS SERVICE -- CARRIER TO CARRIER

11. RATES FOR SERVICE (Cont'd)11.5 Special Access Rates (Cont'd)

<u>Channel Type High Capacity</u>	<u>Rate</u>
<u>Optional Features and Functions</u>	
1) Multiplexing per arrangement	
DS-3 to DS-1	681.00
DS-1C to DS-1	ICB
DS-1 to Voice	144.00
DS-1 to DS-0	144.00
DS-0 to Subrates	292.00
Up to 104.8	200.00
Up to 59.6	175.00
2) Automatic Loop Transfer (per arrangement)	118.00
3) Transfer Arrangement (per 4 port arrangement)	130.00

Issued: July 28, 1998

Effective: July 29, 1998

Joseph D. Jensen, President
5566 Southwyck Blvd.
Toledo, Ohio 43614

ACCESS SERVICE -- CARRIER TO CARRIER

11. RATES FOR SERVICE (Cont'd)

11.5 Special Access Rates (Cont'd)

<u>Network Channel Terminating Equipment</u> <u>(per termination where provided)</u>	
1.544 Mbps	67.20
Auto Loop Transfer	270.00
Clear Channel Capacity per 1.544 Mbps Transmission Path	
Installation and Rearrangement per termination	ICB
<u>Moves in same building</u>	
1.544 Mbps	68.00
44.736 Mbps	187.00
<u>Moves in different building</u>	
1.544 Mbps	135.00
44.736 Mbps	375.00

Issued: July 28, 1998

Effective: July 29, 1998

Joseph D. Jensen, President
5566 Southwyck Blvd.
Toledo, Ohio 43614

ACCESS SERVICE -- CARRIER TO CARRIER

11. RATES FOR SERVICE (Cont'd)

11.5 Special Access Rates (Cont'd)

<u>Channel Type Synchronous Optical</u>	<u>Rate</u>
<u>Channel Termination Per Termination (CDP and/or IC POT)</u>	
155.52 Mbps	1,400.00
622.08 Mbps	2,700.00
<u>Channel Mileage</u>	
<u>Channel Mileage Facility (per mile)</u>	
155.52 Mbps	150.00
622.08	300.00
<u>Channel Mileage Termination (per termination)</u>	
155.52	525.00
622.08	1,950.00

Issued: July 28, 1998

Effective: July 29, 1998

Joseph D. Jensen, President
5566 Southwyck Blvd.
Toledo, Ohio 43614

ACCESS SERVICE -- CARRIER TO CARRIER

11. RATES FOR SERVICE (Cont'd)11.5 Special Access Rates (Cont'd)

<u>Optional Features and Functions</u>	
1) Customer Node per node	
155.52 Mbps	675.00
622.08	1,650.00
Customer Premises Port per port	
1.544 Mbps	38.00
44.736	225.00
51.84	225.00
155.52	110.00
2) Add/Drop Multiplexing	
Central Office Port (per port)	
1.544 Mbps	30.00
44.736	75.00
155.52	110.00

ACCESS SERVICE -- CARRIER TO CARRIER

11. RATES FOR SERVICE (Cont'd)

11.5 Special Access Rates (Cont'd)

<u>Term Discounts OC-3 and OC-12</u>	
24 months	10%
36 months	15%
60 months	20%

<u>Non Recurring Charges</u>	
<u>Channel Termination (per term) (CDP or ICPOT)</u>	
155.52 Mbps	786.00
622.08	786.00
<u>Non Recurring Charges</u>	
<u>Optional Features and Functions</u>	
<u>Customer Node (per node)</u>	
155.52 Mbps	197.00
622.08	197.00

ACCESS SERVICE -- CARRIER TO CARRIER

11. RATES FOR SERVICE (Cont'd)

11.5 Special Access Rates (Cont'd)

<u>Channel Type Synchronous Optical</u>	<u>Rate</u>
<u>Customer Premises Port (per port)</u>	
1.544 Mbps	54.00
44.736	54.00
51.84	213.00

11.6 Telephone Service Priority

NSEP TSP	ICB
Switching	ICB
Transport	ICB
Special	ICB

ACCESS SERVICE -- CARRIER TO CARRIER

11. RATES FOR SERVICE (Cont'd)11.7 Frame Relay Access Service Rates

FRAC	<u>Mo. to Mo.</u>	<u>2-Year Term</u>	<u>3-Year Term</u>	<u>5-Year Term</u>
64 Kbps	\$115.00	\$112.00	\$110.00	\$105.00
64 Kbps ISDN	125.00	122.00	120.00	115.00
128 Kbps ISDN	150.00	145.00	140.00	130.00
384 Kbps	485.00	480.00	475.00	465.00
768 Kbps	515.00	510.00	505.00	495.00
1.536 Mbps	545.00	540.00	535.00	525.00
CIR per				
64 Kbps	0.50	0.50	0.50	0.50
128 Kbps	0.35	0.35	0.35	0.35
384 Kbps	0.15	0.15	0.15	0.15
768 Kbps	0.10	0.10	0.10	0.10
1.536 Mbps	0.05	0.05	0.05	0.05
SPVC/ EPVC (each)	\$ 1.25 1.25		1.25	1.25

ACCESS SERVICE -- CARRIER TO CARRIER

11. RATES FOR SERVICE (Cont'd)

11.7 Frame Relay Access Service Rates

UPC (end-user port only)

	<u>Mo. to Mo.</u>	<u>2-Year Term</u>	<u>3-Year Term</u>	<u>5-Year Term</u>
64 Kbps	\$ 60.00	\$ 55.00	\$ 50.00	\$ 40.00
1.536 Mbps	\$450.00	\$445.00	\$440.00	\$430.00

CIR per

64 Kbps	0.50	0.50	0.50	0.50
1.536 Mbps	0.05	0.05	0.05	0.05

**SPVC/
EPVC (each)**

\$ 1.25	1.25	1.25	1.25
---------	------	------	------

IPC (inter-network cust. port)

64 Kbps	60.00	55.00	50.00	40.00
1.536 Mbps	450.00	445.00	440.00	430.00

**SPVC/
EPVC (each)**

\$ 1.25	1.25	1.25	1.25
---------	------	------	------

FRIC

44 Kbps	ICB	ICB	ICB	ICB
64 Kbps	60.00	55.00	50.00	40.00
1.536 Mbps	450.00	445.00	440.00	430.00

Issued: July 28, 1998

Effective: July 29, 1998

Joseph D. Jensen, President
5566 Southwyck Blvd.
Toledo, Ohio 43614

ACCESS SERVICE -- CARRIER TO CARRIER

11. RATES FOR SERVICE (Cont'd)

11.8 Miscellaneous Access Service - TSP

Specialized Service or Arrangements	ICB
-------------------------------------	-----